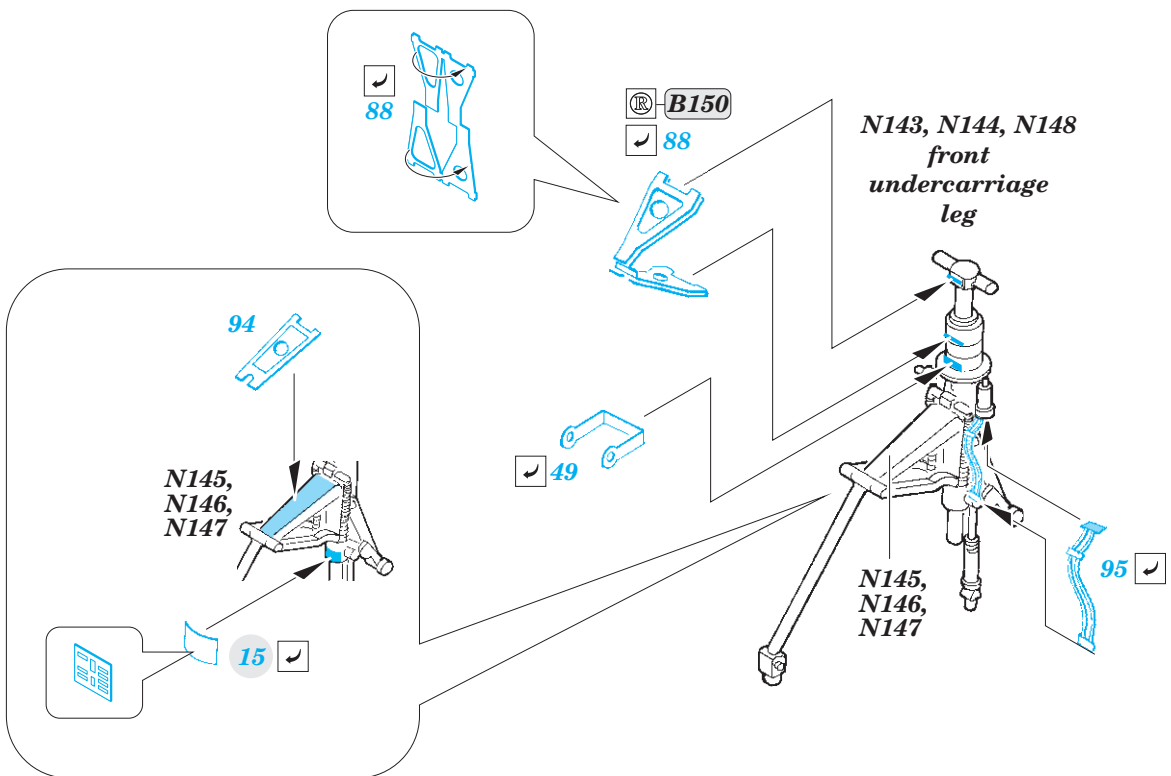
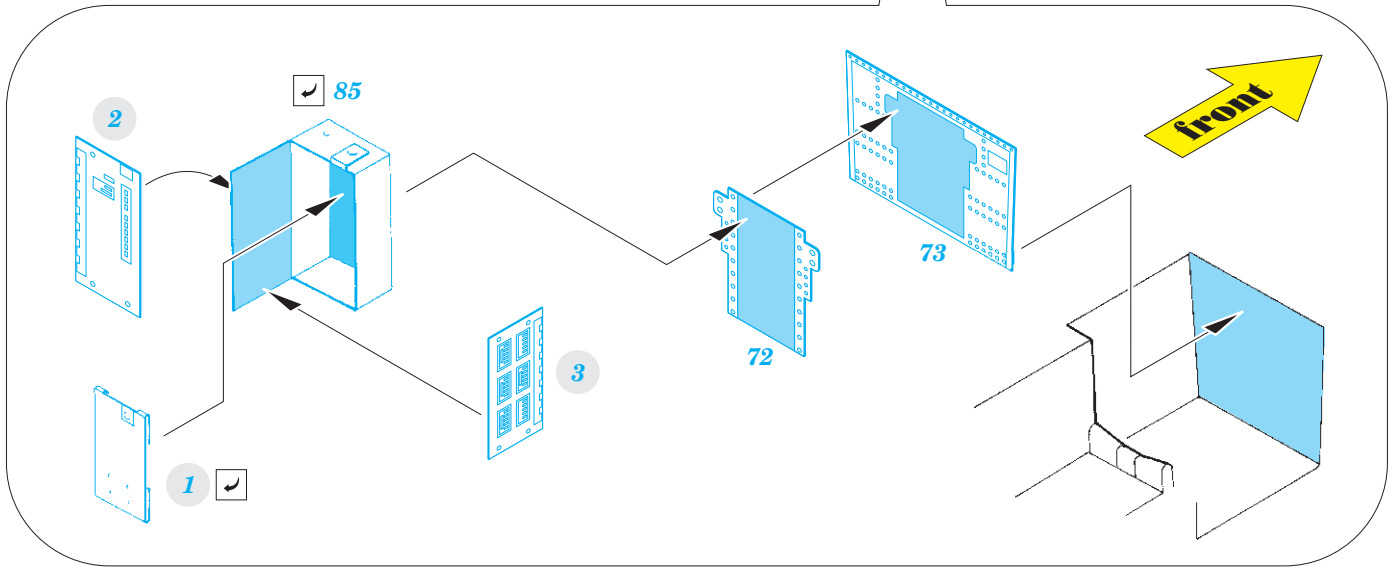
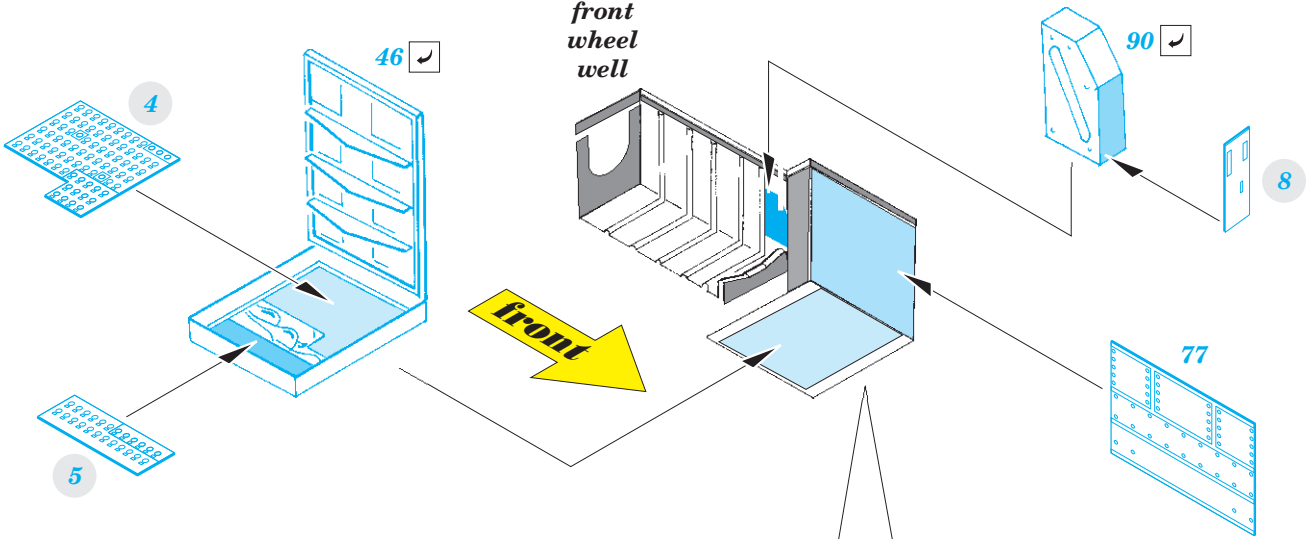
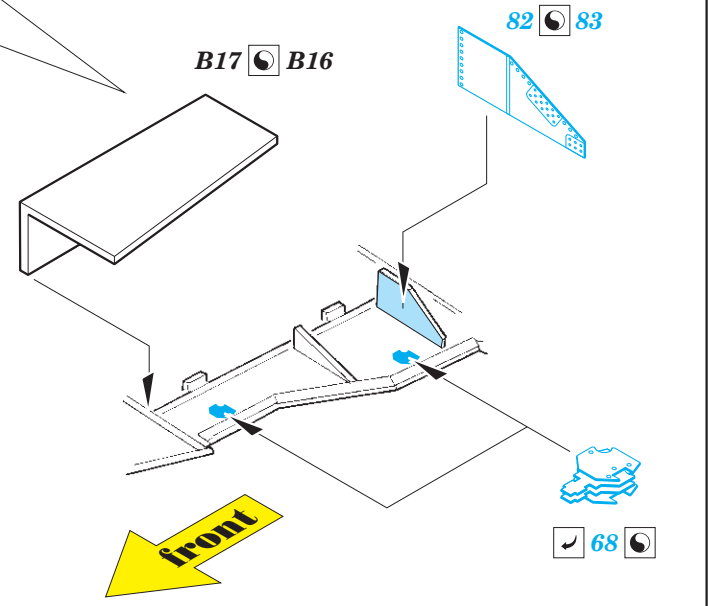
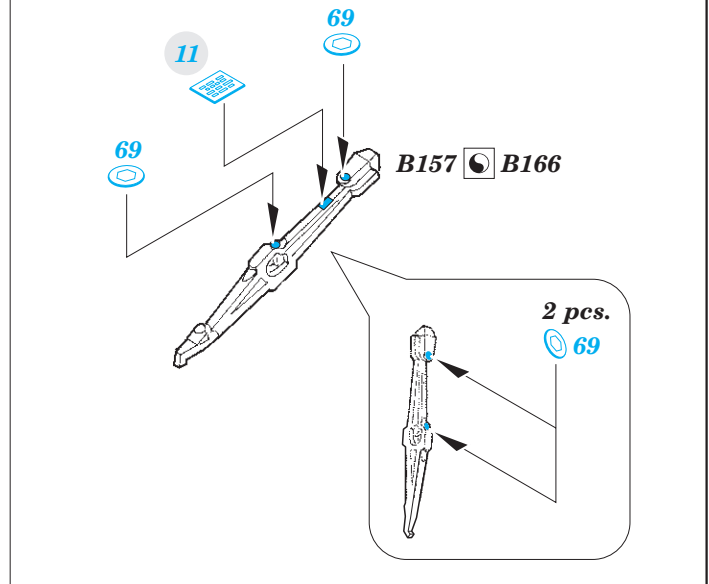
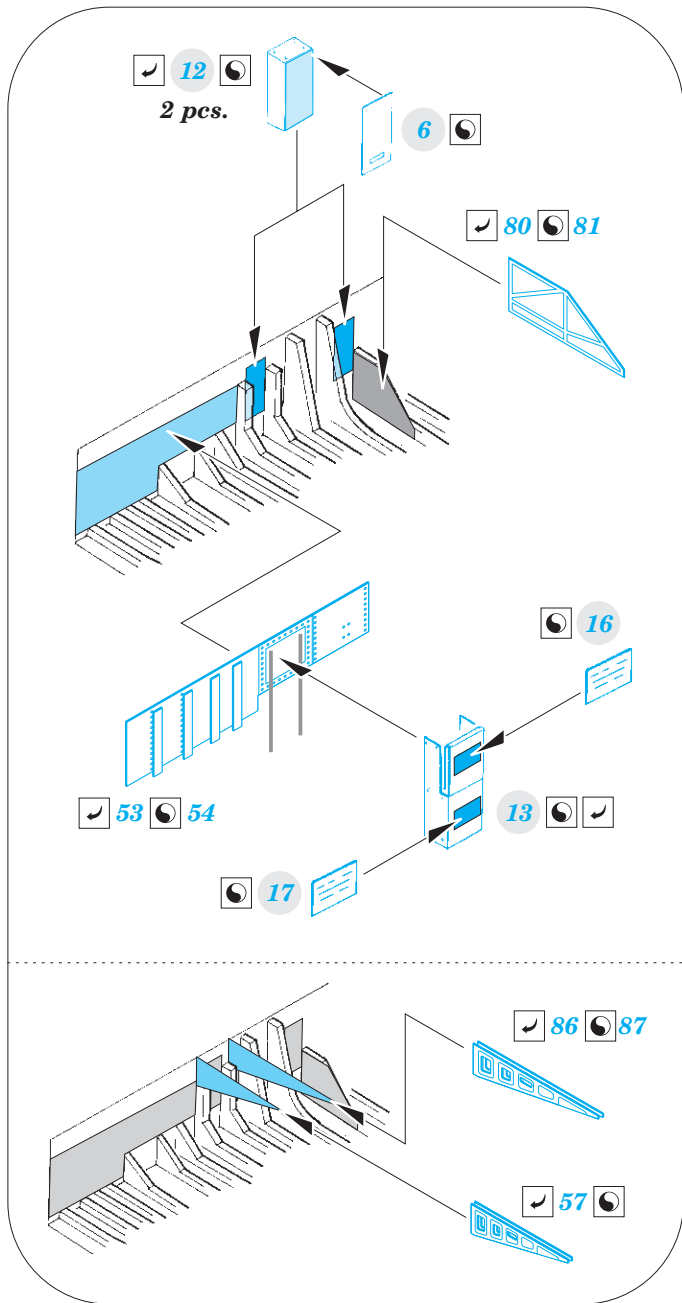
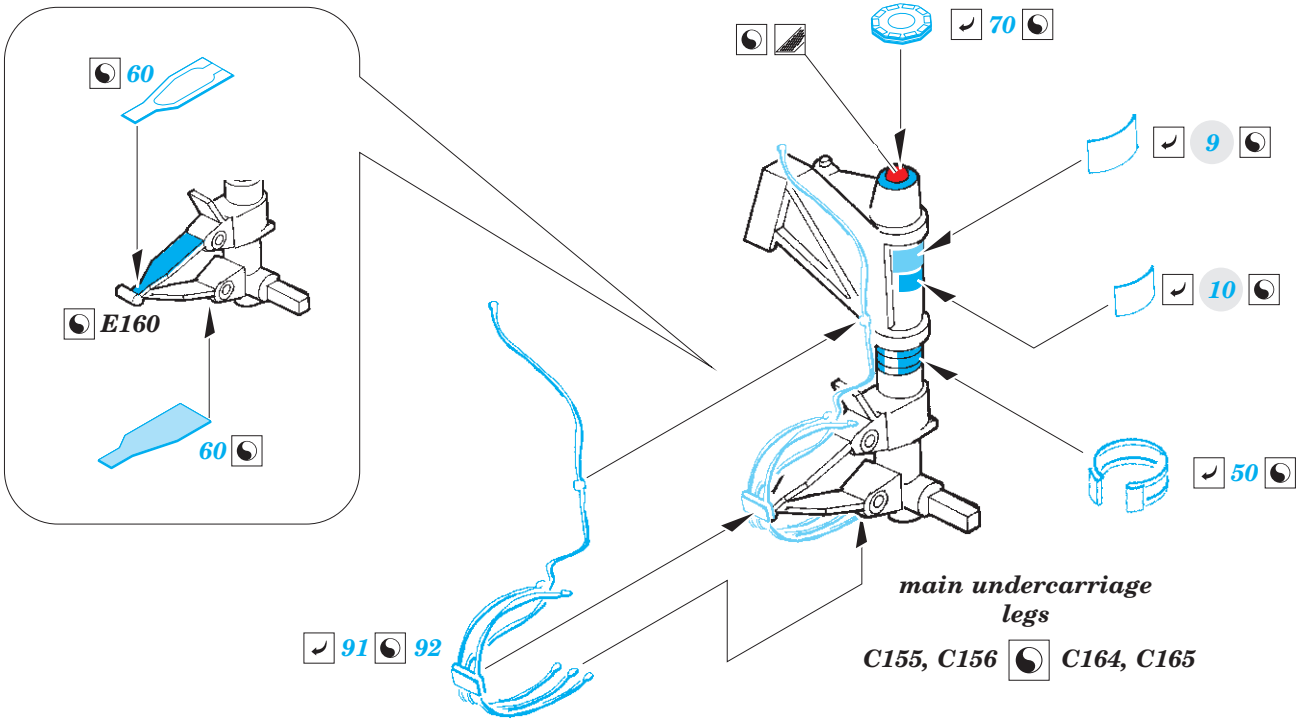


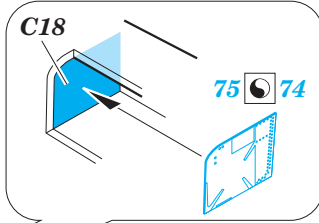


**B2  
front  
wheel  
well**

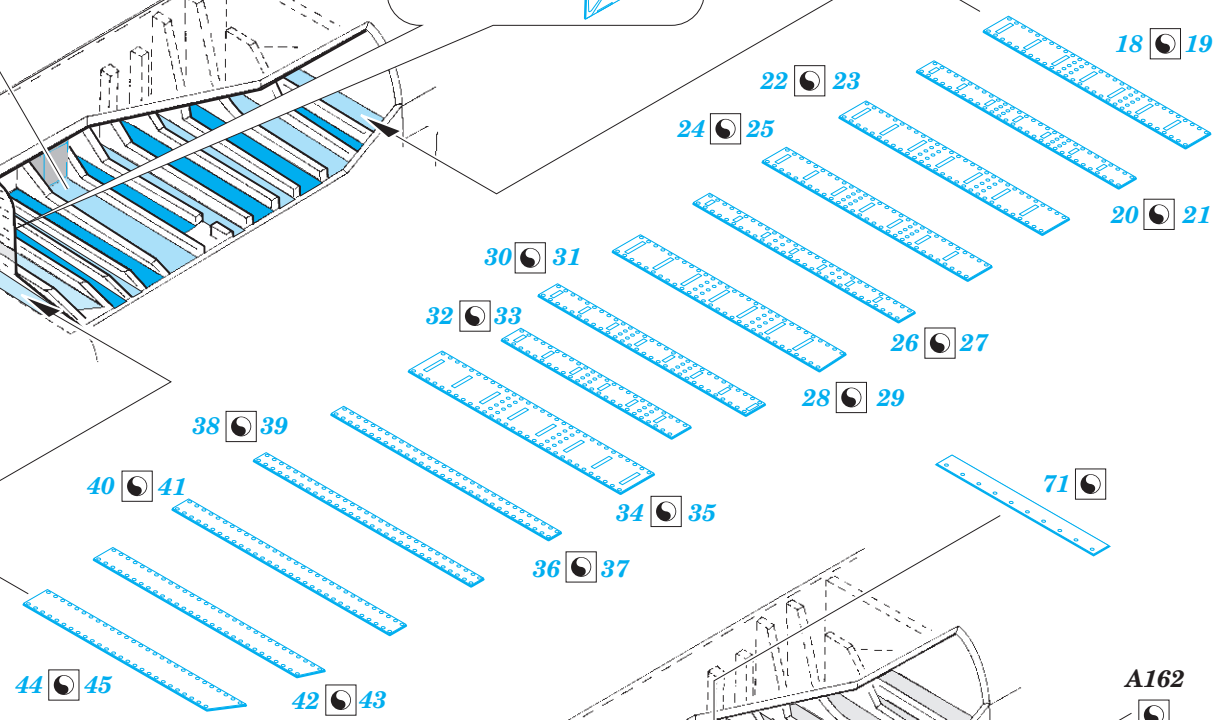
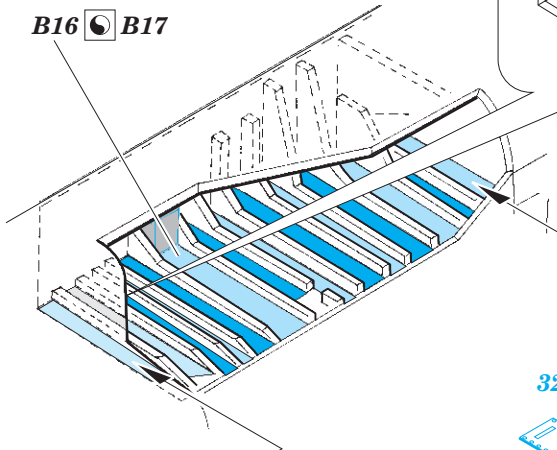




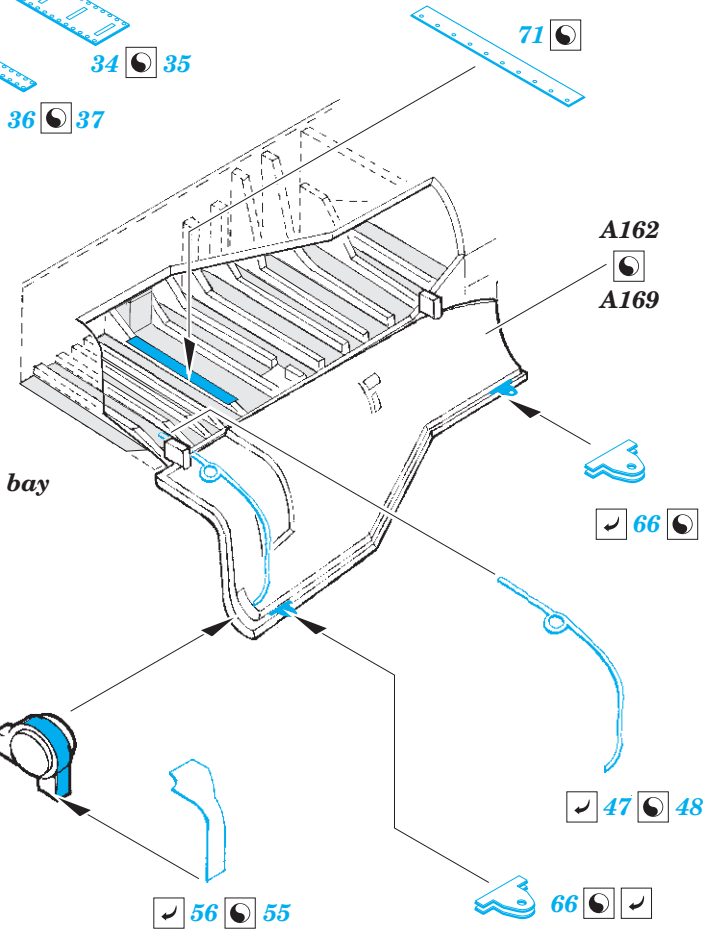
main undercarriage bay



B16 B17



main undercarriage bay



main undercarriage bay

