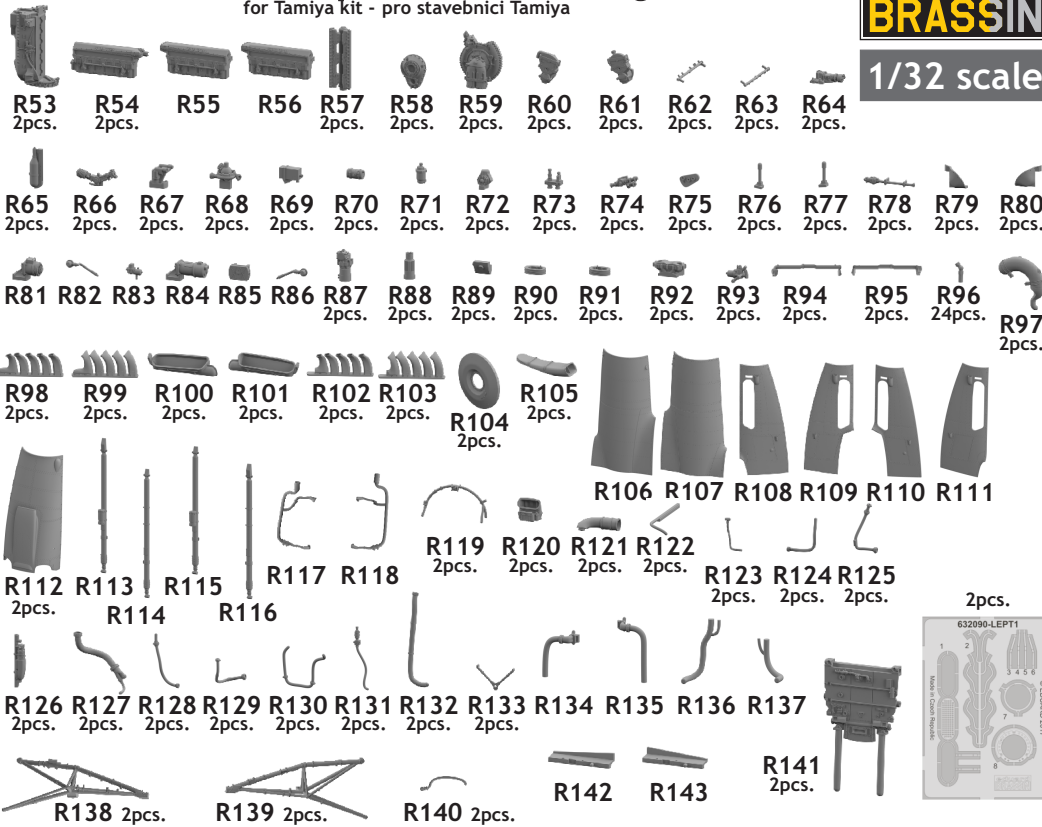


632 090 Mosquito FB Mk.VI engines

for Tamiya kit - pro stavebnici Tamiya



1/32 scale



COLOURS

GSI Creos (GUNZE)		Mr.METAL COLOR	
AQUEOUS	Mr.COLOR		
H 2	C 2	BLACK	MC213 STAINLESS
H 8	C 8	SILVER	MC214 DARK IRON
H 37	C 43	BROWN	MC215 COPPER
	C 92	SEMI GLOSS BLACK	
	C364	GRAY GREEN	

This product contains metal and resin detail parts for upgrading plastic models. When selecting this set make sure that it is for the kit mentioned in product name as these sets are made specifically for that kit. When upgrading the model some cutting or corrections may be necessary for parts to fit accurately. **WARNING!** This set contains small and sharp parts. Work carefully in a ventilated and well-lit room. Safety glasses are recommended. This product is not suitable for children below 14 years of age.

Tento výrobek obsahuje leptané a odlévané detaily pro úpravu a vylepšení plastického modelu. Při výběru sady kovových detailů zkontrolujte, zda je určena pro model, který chcete upravit. Model, pro který je sada určena, je uveden u názvu výrobku. Pro přesnou aplikaci kovových a odlévaných dílů může být zapotřebí upravit díly upravovaného modelu. **POZOR!** Sada obsahuje malé ostré díly. Pracujte ve větrané a dobře osvětlené místnosti. Doporučujeme použití ochranných brýlí. Tento výrobek není vhodný pro děti mladší 14 let.

eduard
 435 21 Obrnice 170
 Czech Republic
 www.eduard.com



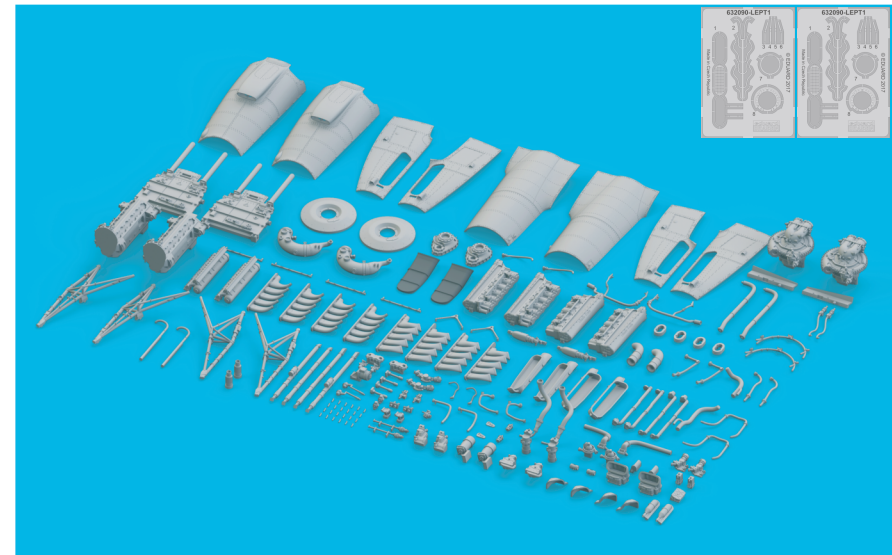
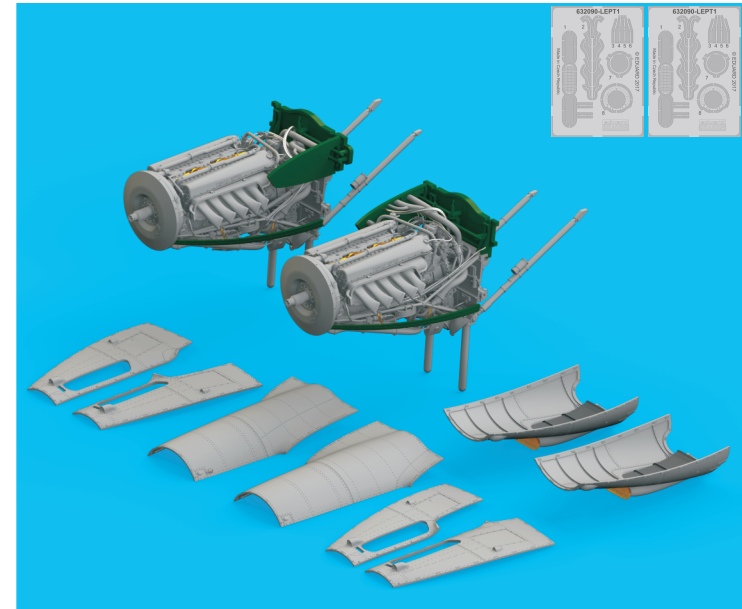
www.eduard.com



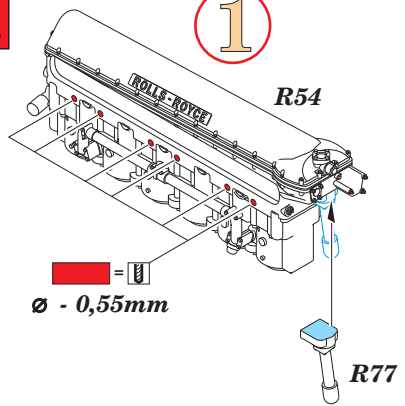
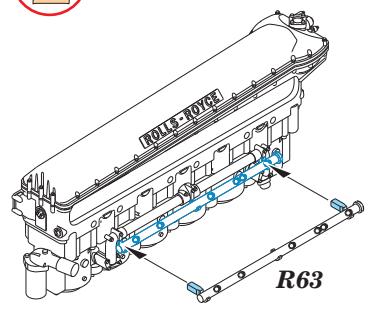
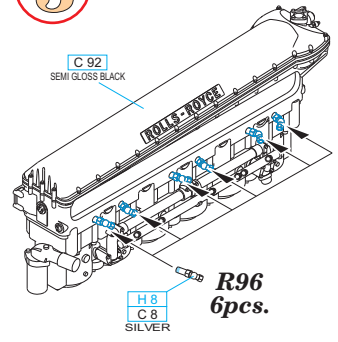
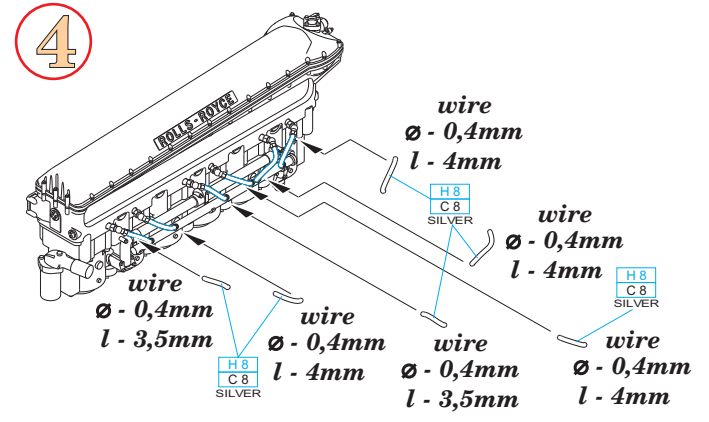
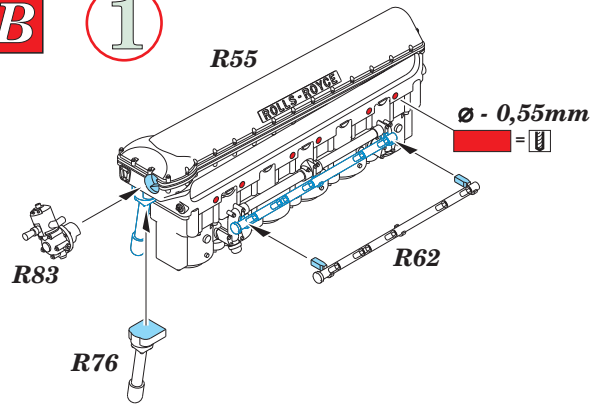
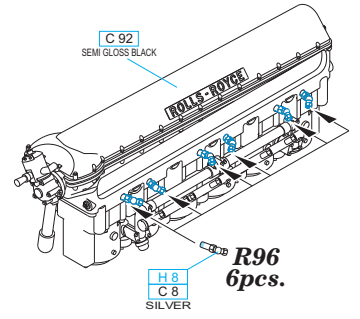
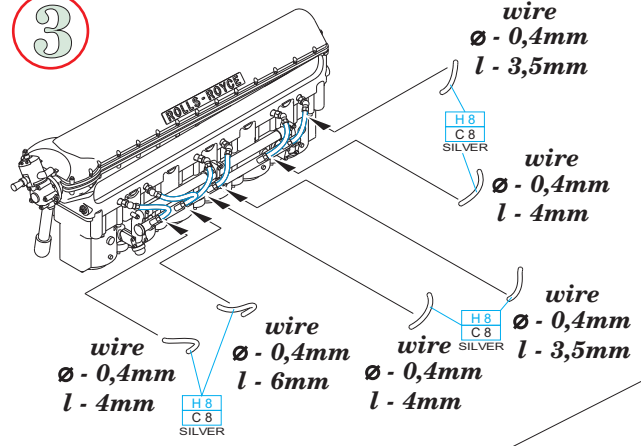
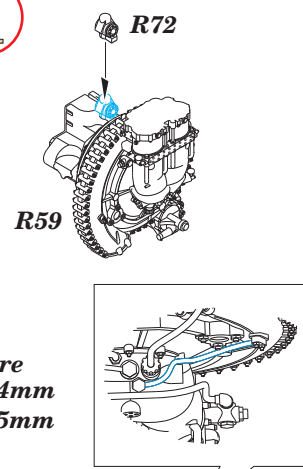
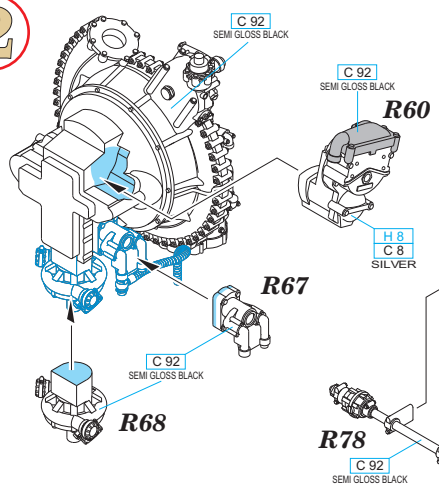
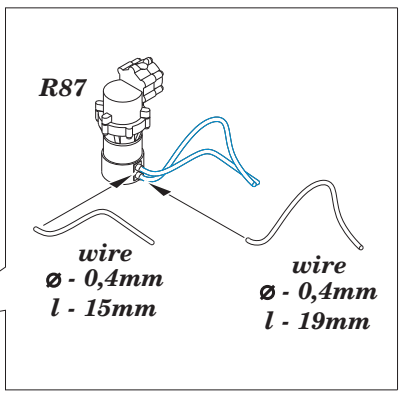
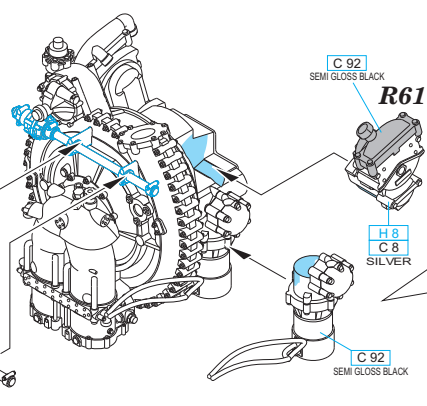
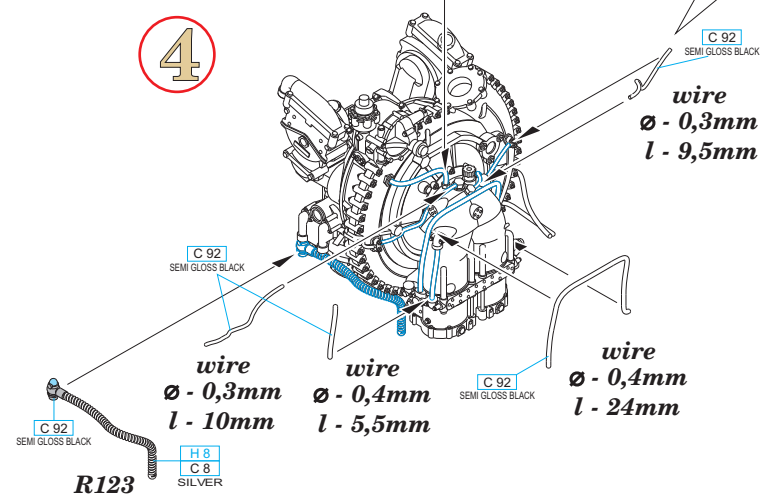
632 090 Mosquito FB Mk.VI engines










for Tamiya kit - pro stavebnici Tamiya

1/32



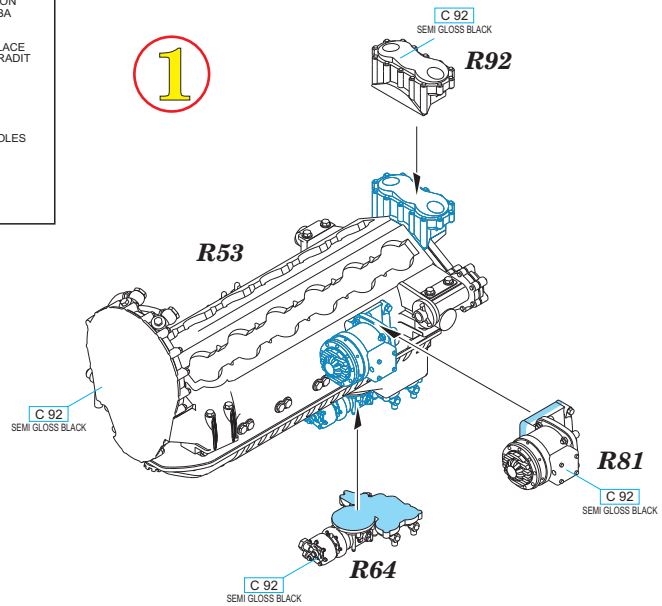
BEST ~~BRASS~~ RESIN AROUND!

A**1****2****3****4****B****1****2****3****C****1****2****3****4**

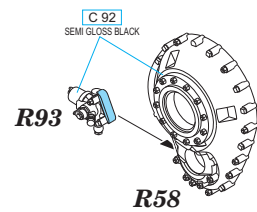
-  REMOVE
ODSTRANIT
-  BEND
OHNOUT
-  GRIND
OBROUSIT
-  OPTION
VOLBA
-  DRILL HOLE
VRTAT OTVOR
-  REPLACE
NAHRADIT
-  SYMMETRICAL ASSEMBLY
SYMETRICKÁ MONTÁŽ
-  SCRIBE THE PANEL AND HOLES
RYTI
-  REVERSE SIDE
OTOČIT

**PORT ENGINE
(LEFT SIDE)**

1

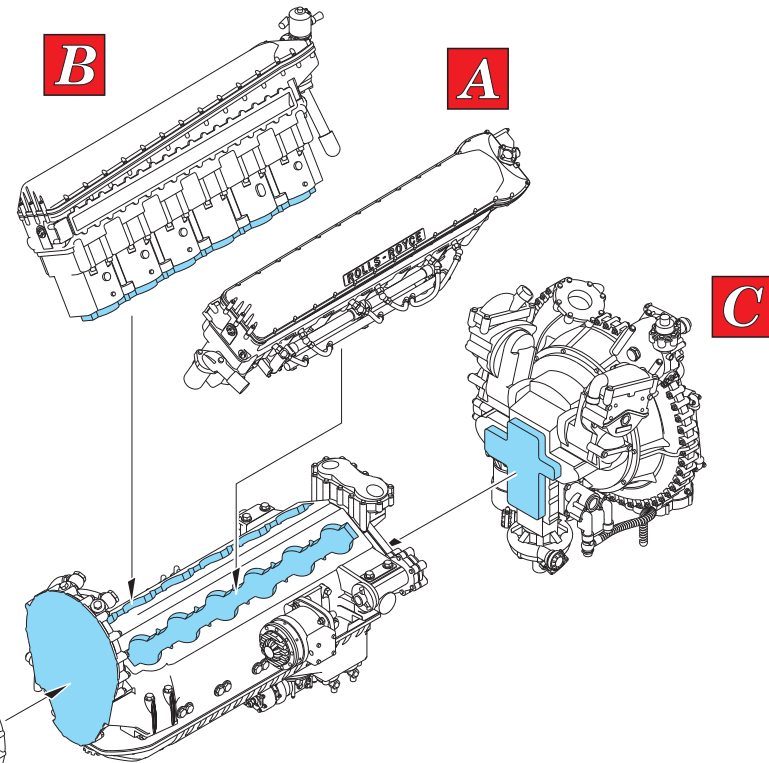


2

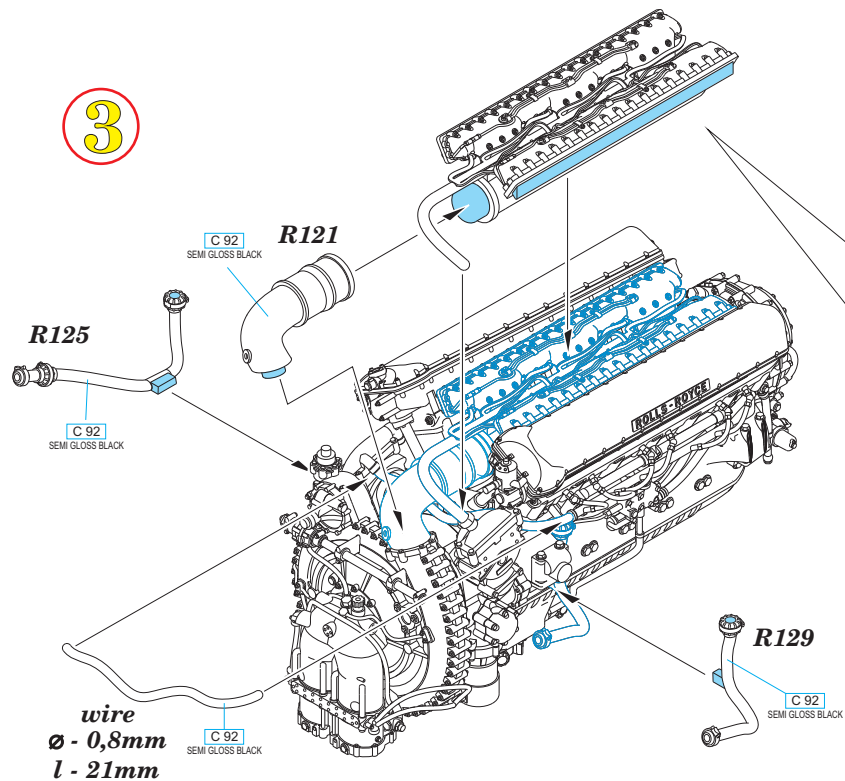


B

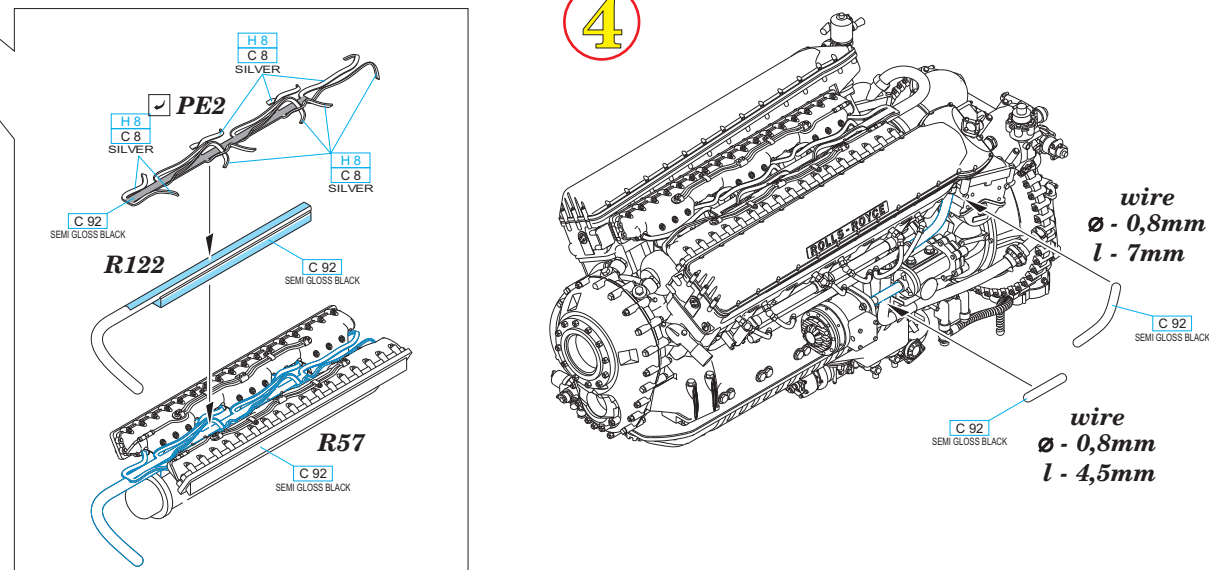
A



3

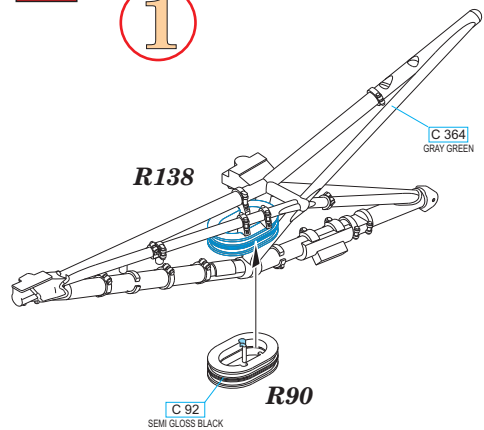


4

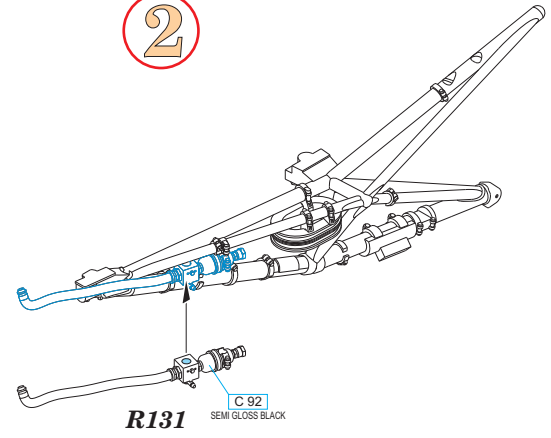


D

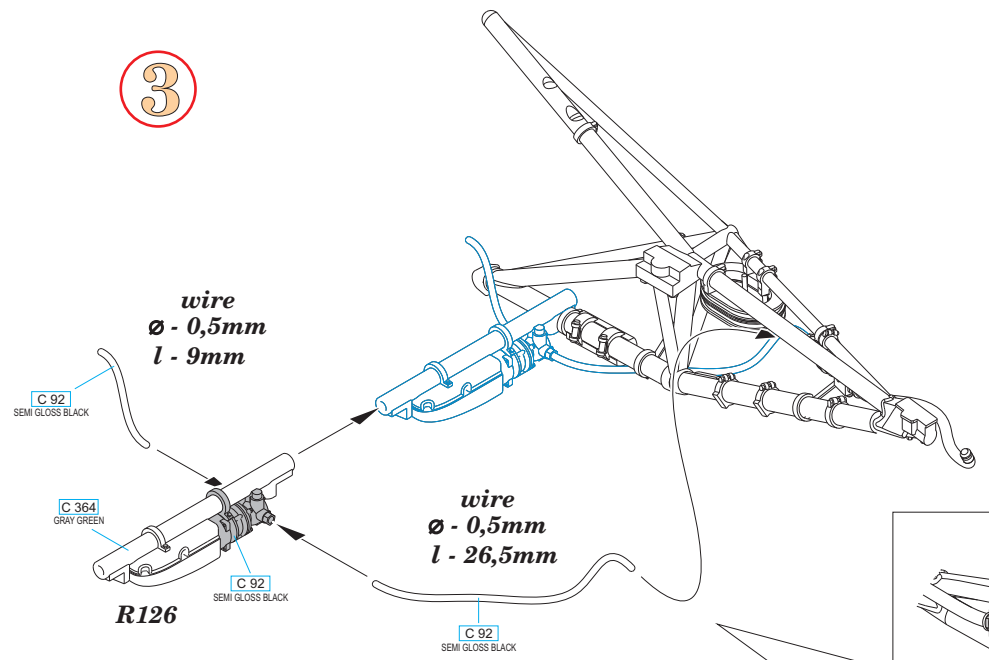
1



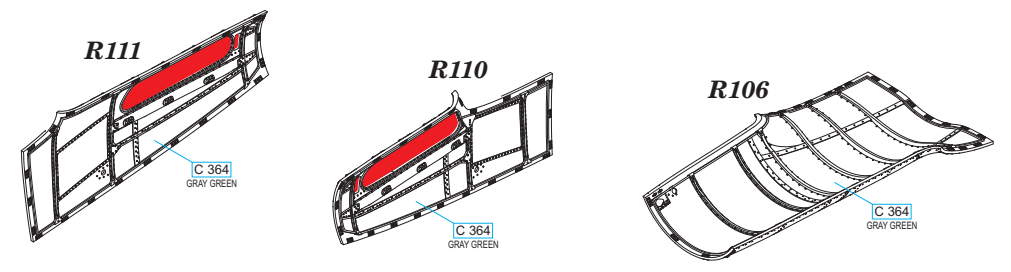
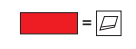
2



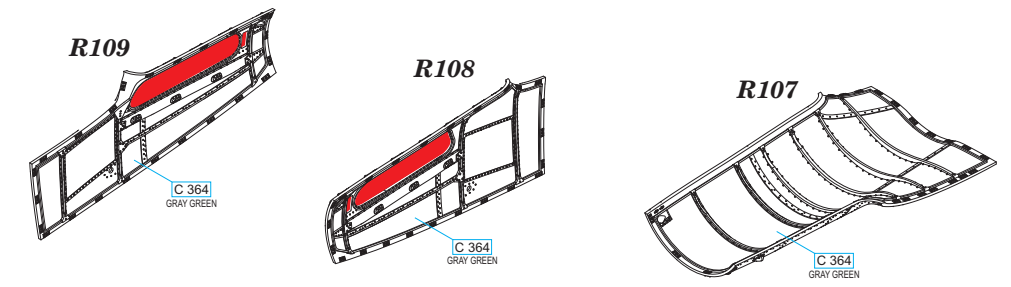
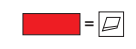
3



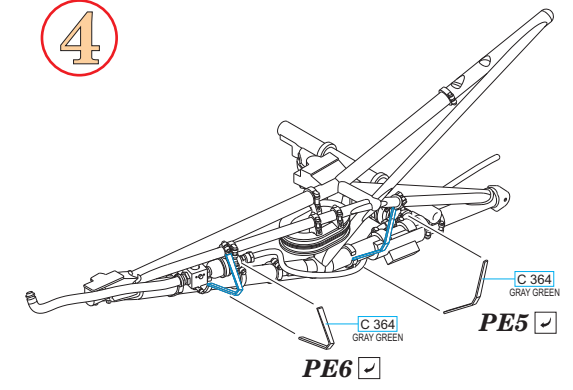
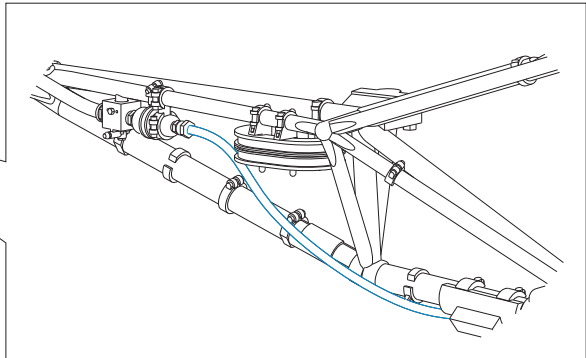
LEFT SIDE

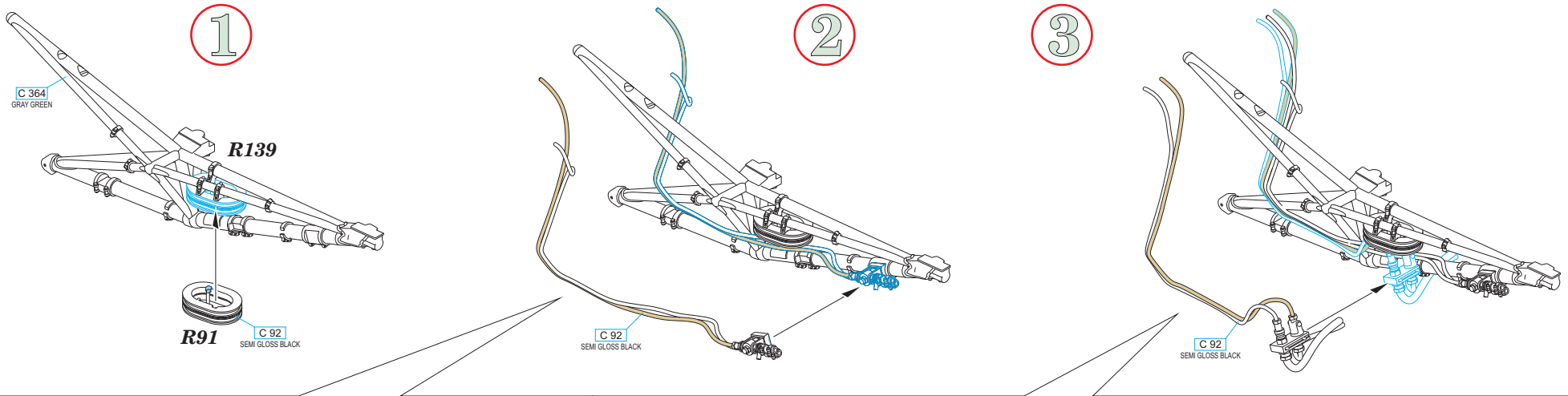


RIGHT SIDE

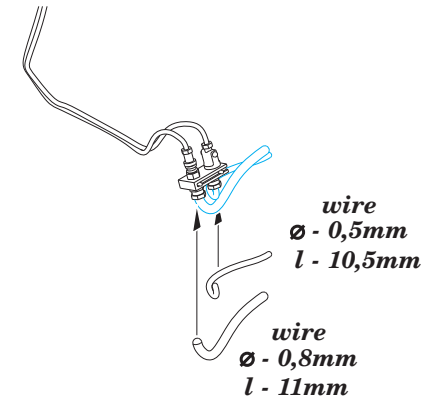
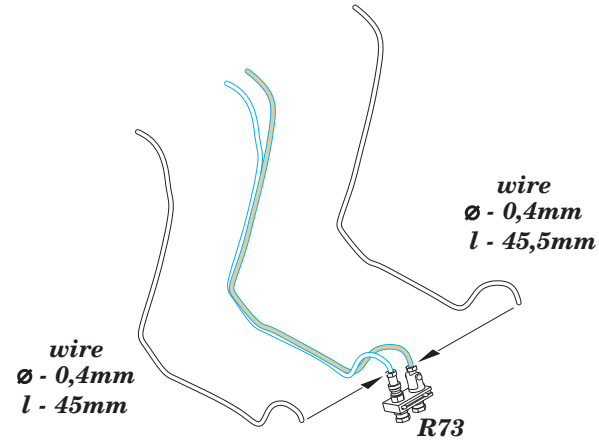
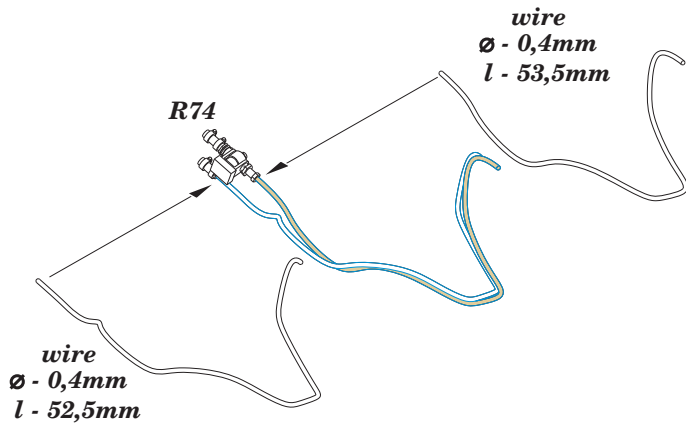


4

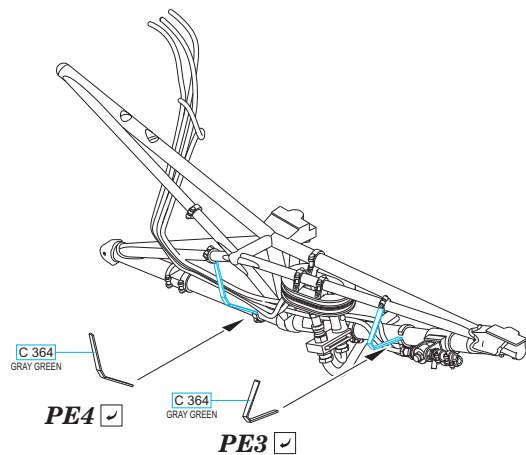
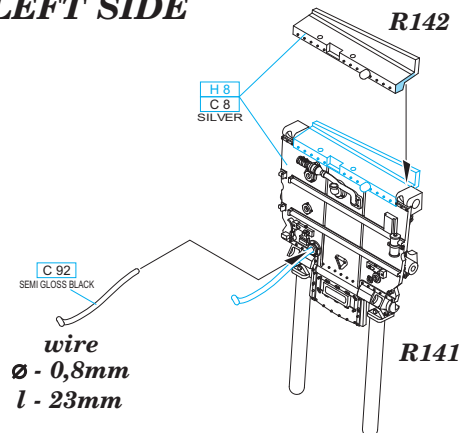
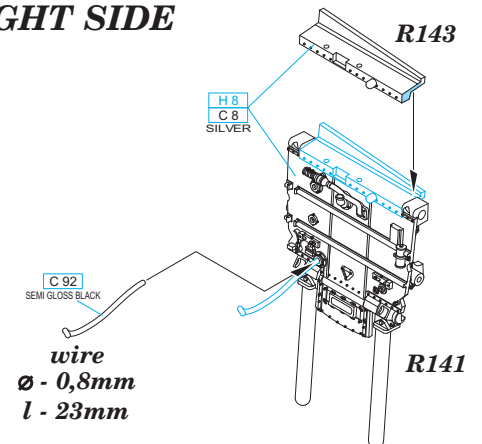


E

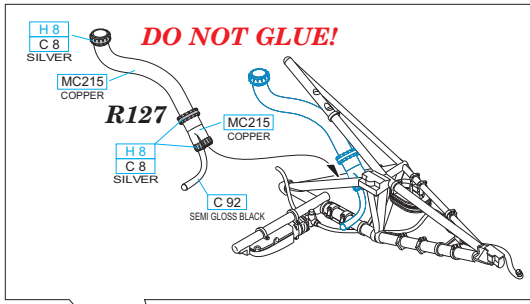
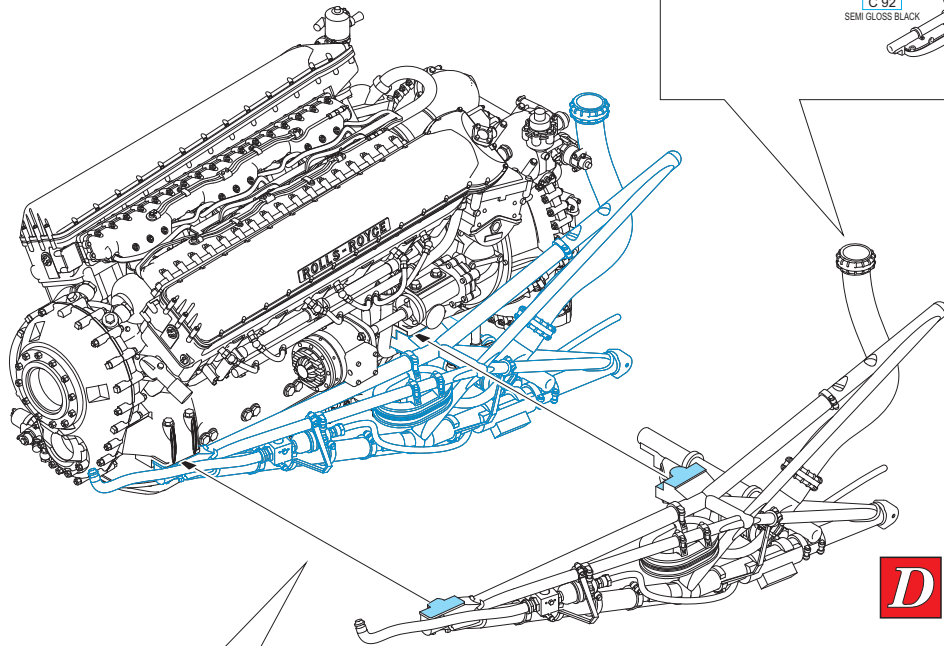
2



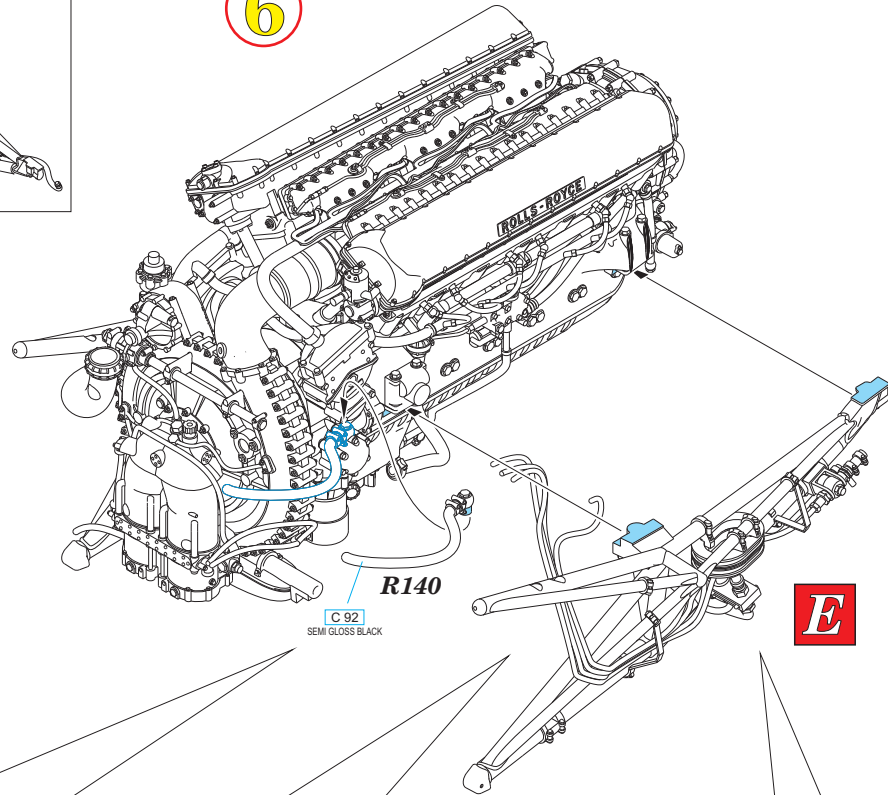
4

**F** LEFT SIDE**G** RIGHT SIDE

5



6



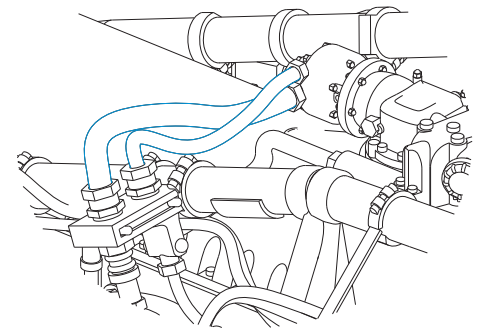
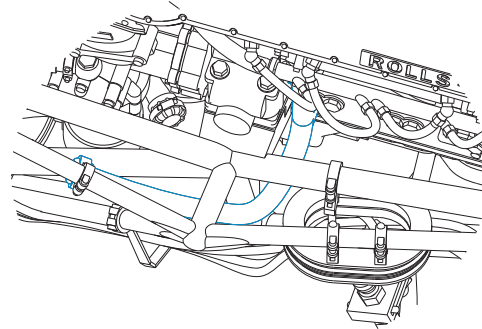
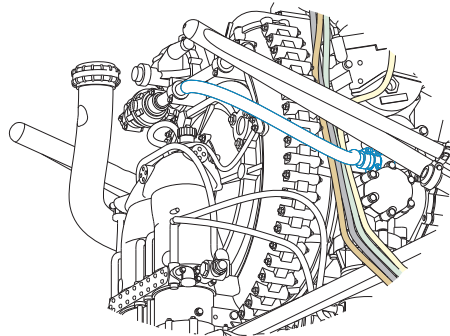
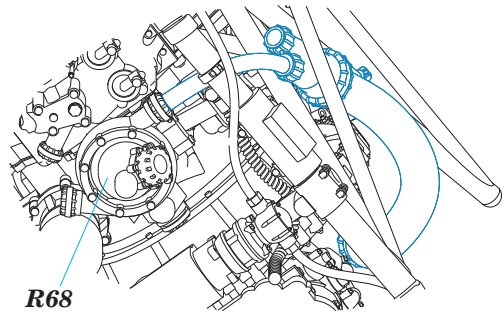
D

E

CORRECT POSITION OF R127

CORRECT POSITION OF WIRES

CORRECT POSITION OF R129



7

- R128 WILL BE GLUED TO THE PART R134
- GO TO PAGE 11

wire
Ø - 0,4mm
l - 23,5mm

C 92
SEMI GLOSS BLACK

H 8
C 8
SILVER

R128

MC215
COPPER

H 8
C 8
SILVER

R95

R94

C 92
SEMI GLOSS BLACK

8

R69

H 2
C 2
BLACK

R75
C 92
SEMI GLOSS BLACK

R119

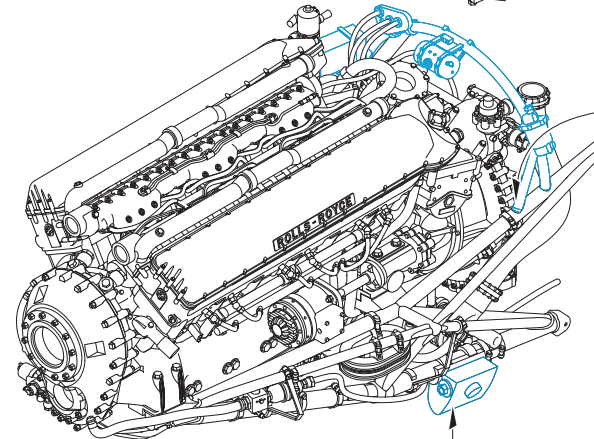
C 364
GRAY GREEN

H 8
C 8
SILVER

R70

R71

H 8
C 8
SILVER



H 8
C 8
SILVER

R89

9

- R124 WILL BE GLUED TO THE PART R134
- GO TO PAGE 11

Ø - 0,4mm wire
l - 13mm

C 92
SEMI GLOSS BLACK

R124

H 8
C 8
SILVER

MC215
COPPER

R82

C 92
SEMI GLOSS BLACK

H 8
C 8
SILVER

R97

C 364
GRAY GREEN

H 8
C 8
SILVER

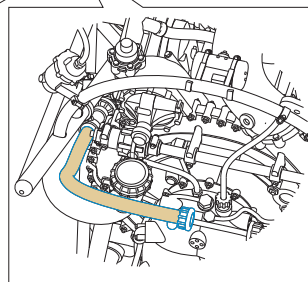
wire
Ø - 0,3mm
l - 14,5mm

wire
Ø - 0,3mm
l - 13,5mm

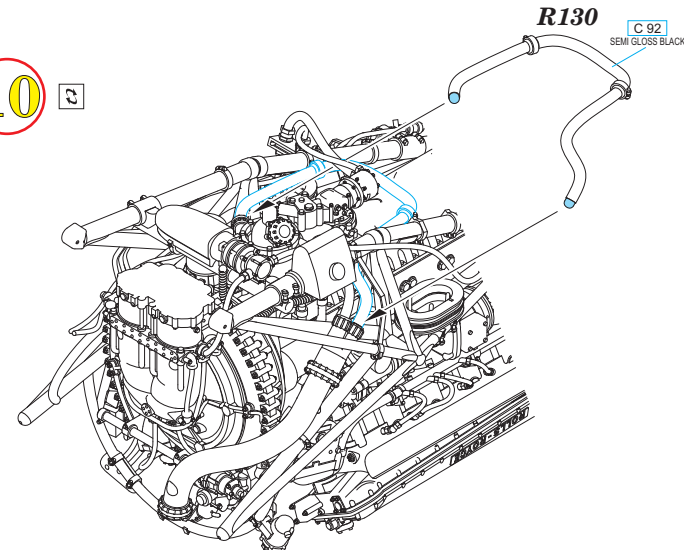
C 92
SEMI GLOSS BLACK

wire
Ø - 0,5mm
l - 42mm

C 92
SEMI GLOSS BLACK



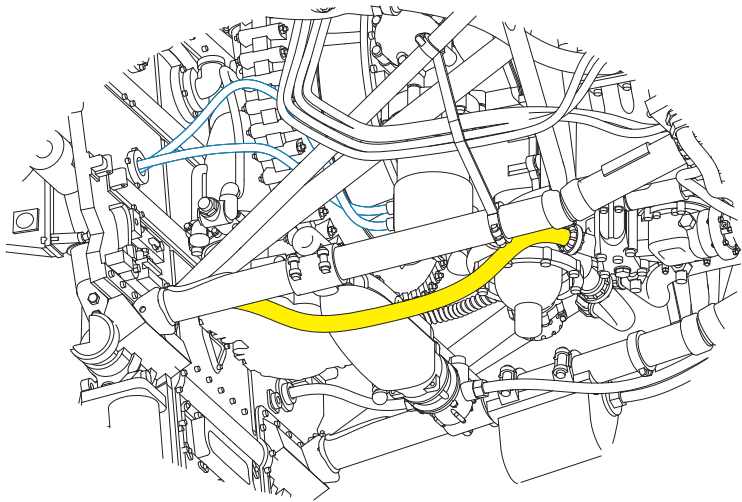
10



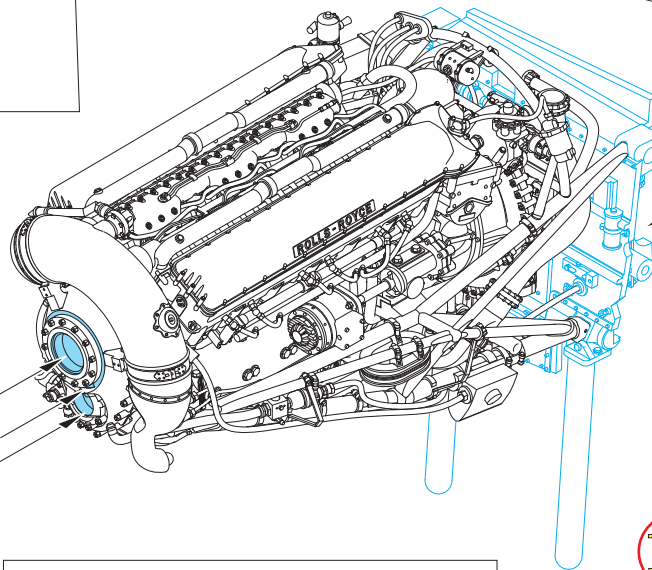
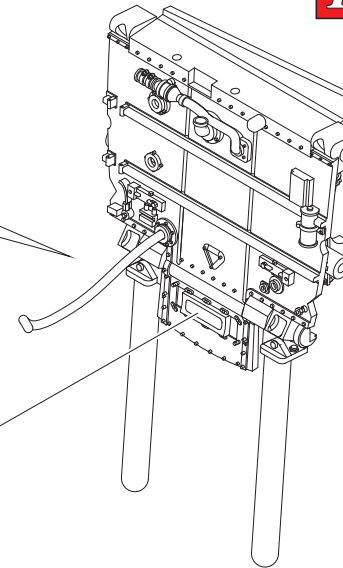
R130

C 92
SEMI GLOSS BLACK

11 2



F



C 92 SEMI GLOSS BLACK PE7

PE8

MC213 STAINLESS

R88

R66

C 92 SEMI GLOSS BLACK

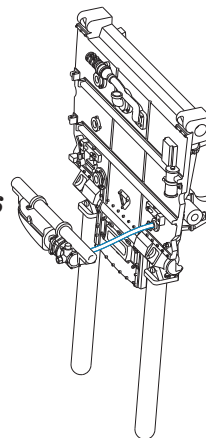
H 8 C 8 SILVER

R105

12

CORRECT POSITION OF WIRE

R126

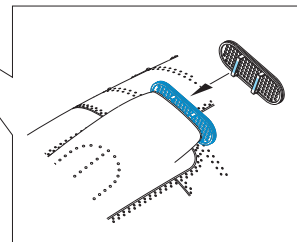


H 8 C 8 SILVER

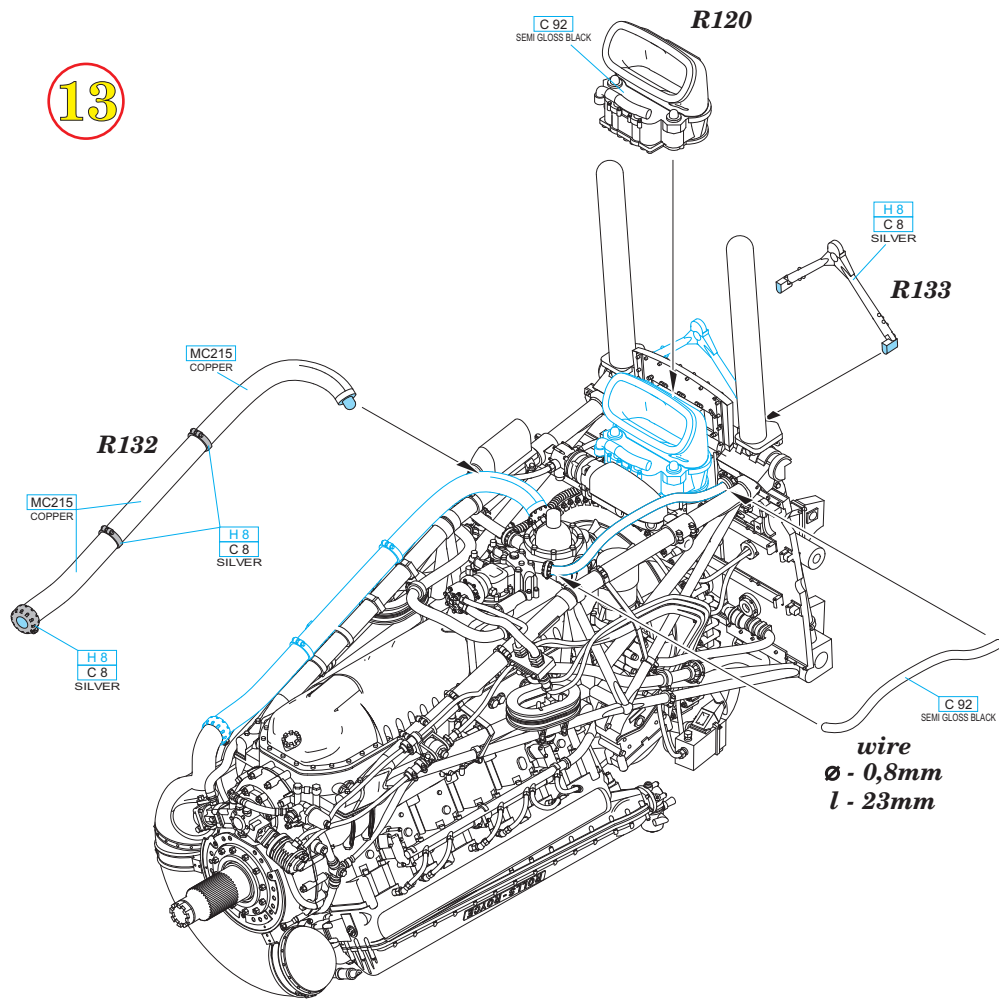
R112

CAMOUFLAGE COLOR

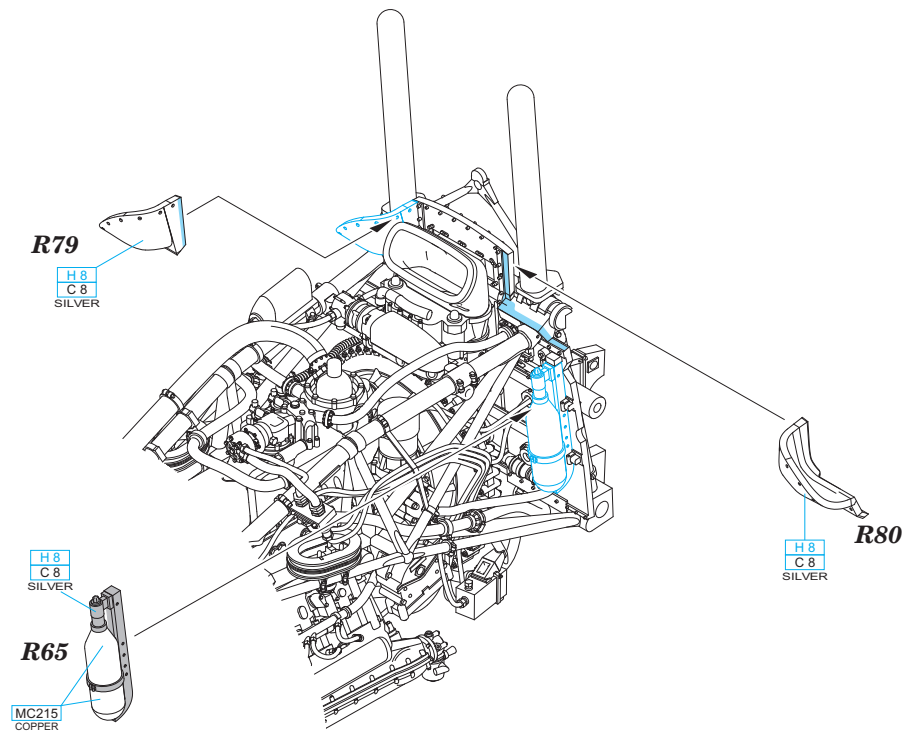
PE1

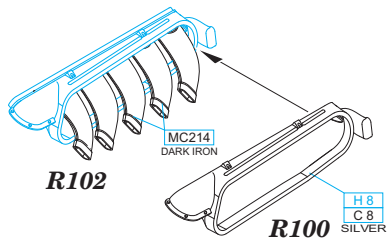


13



14

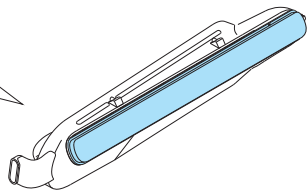




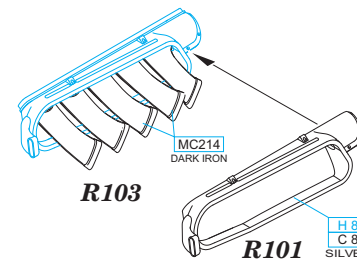
R102

R100

15

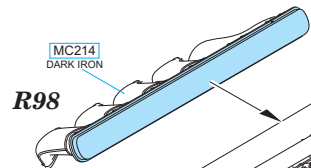


?

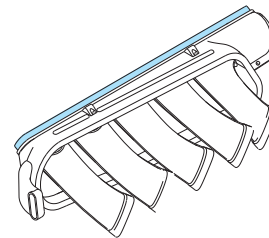
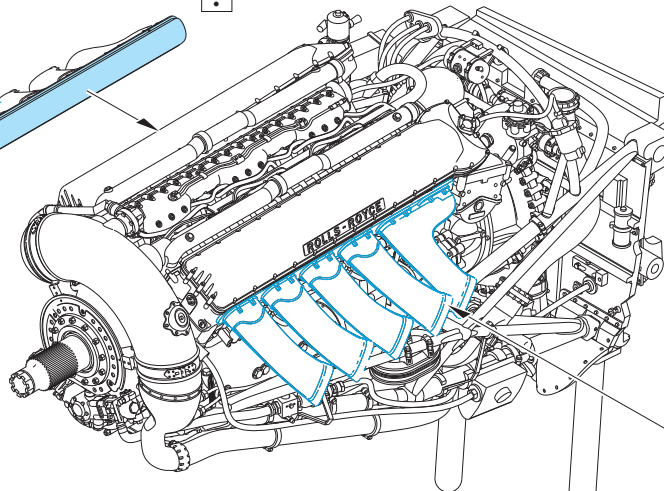


R103

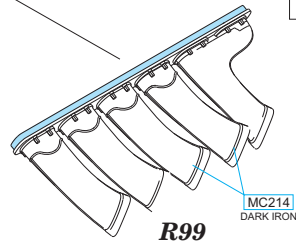
R101



R98

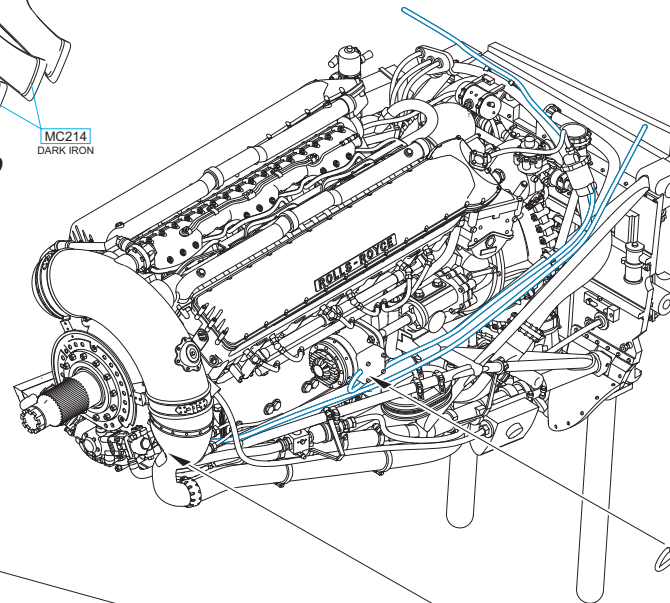


?



R99

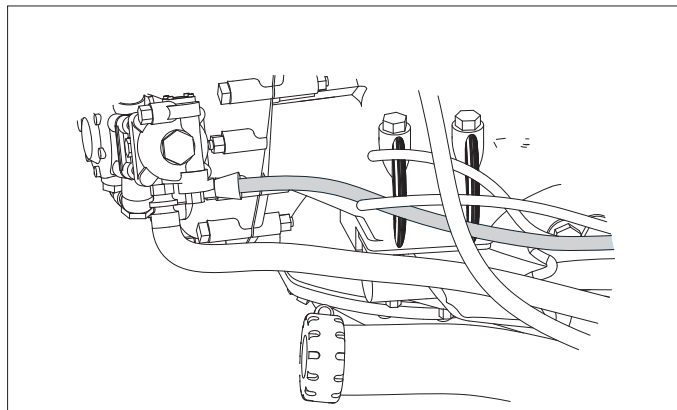
16



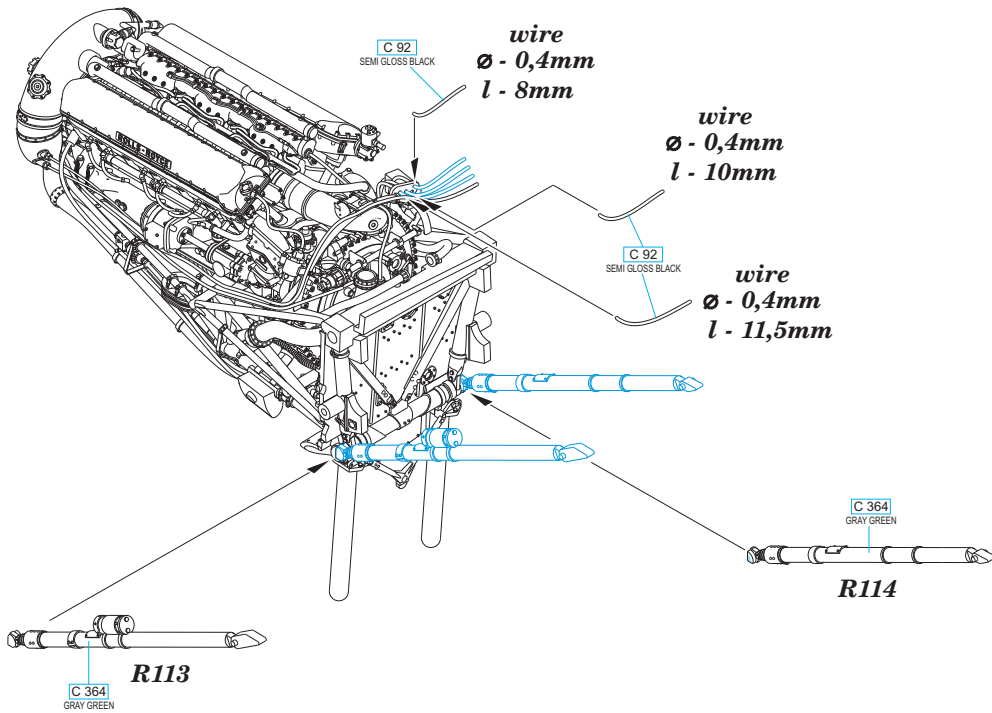
wire
 Ø - 0,4mm
 l - 67,5mm

C 92
 SEM GLOSS BLACK

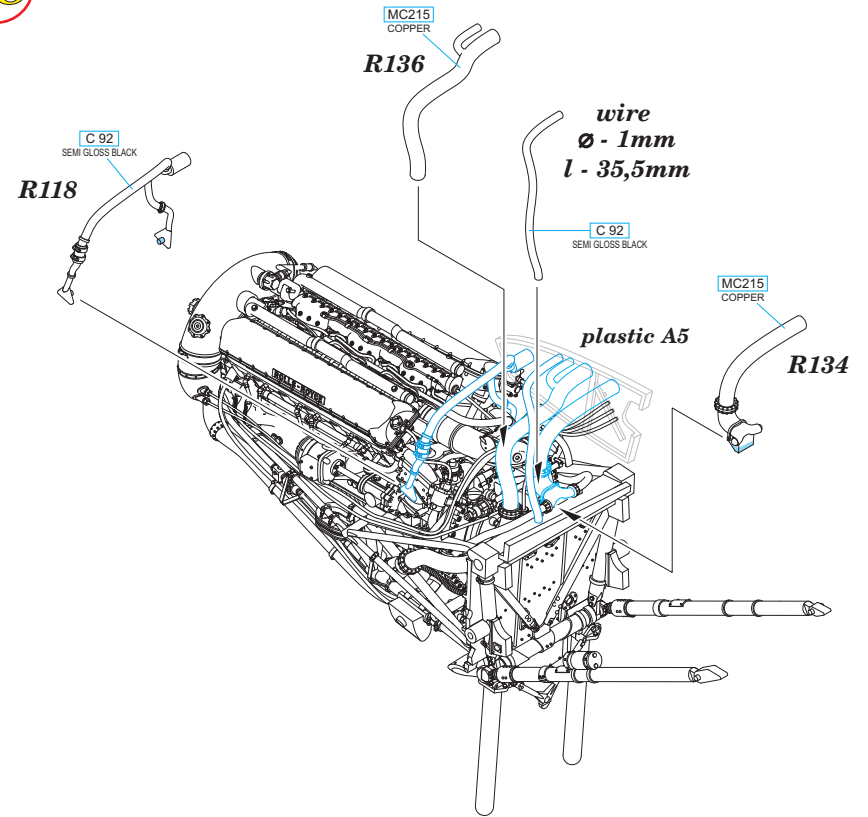
wire
 Ø - 0,4mm
 l - 60,5mm



17

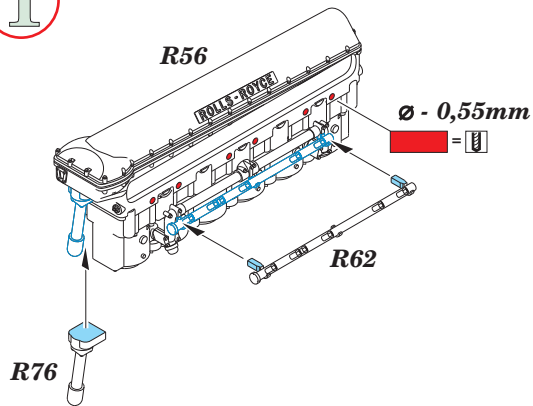


18

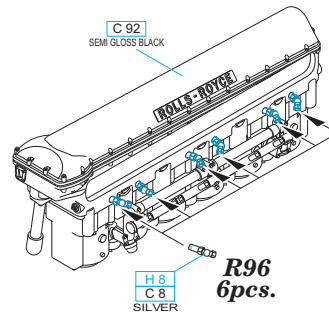


H

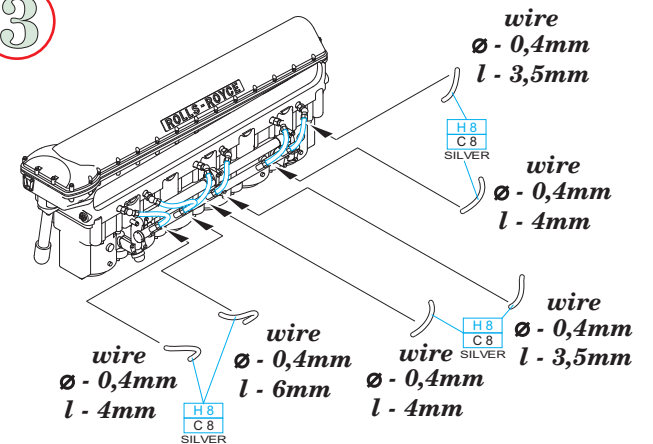
1



2

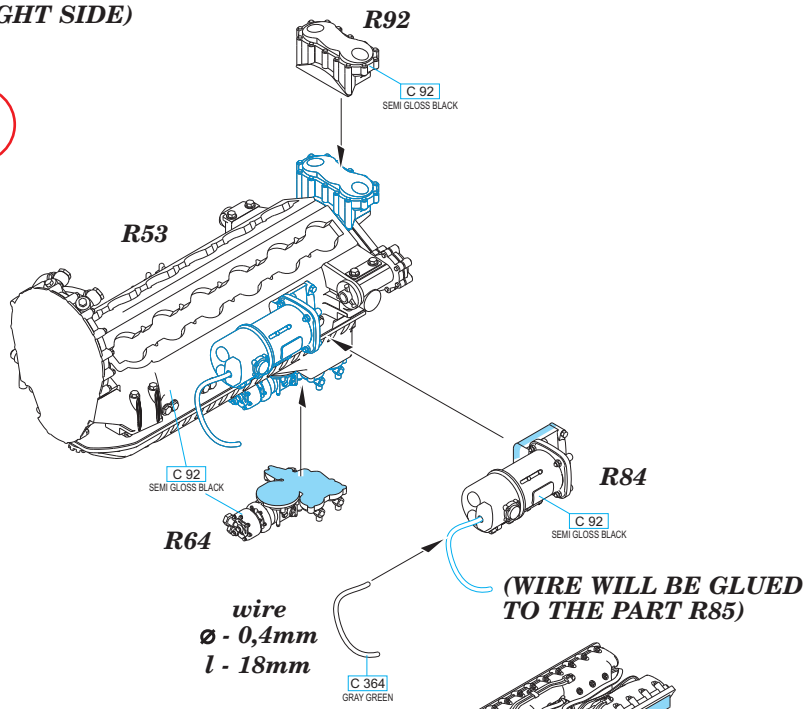


3

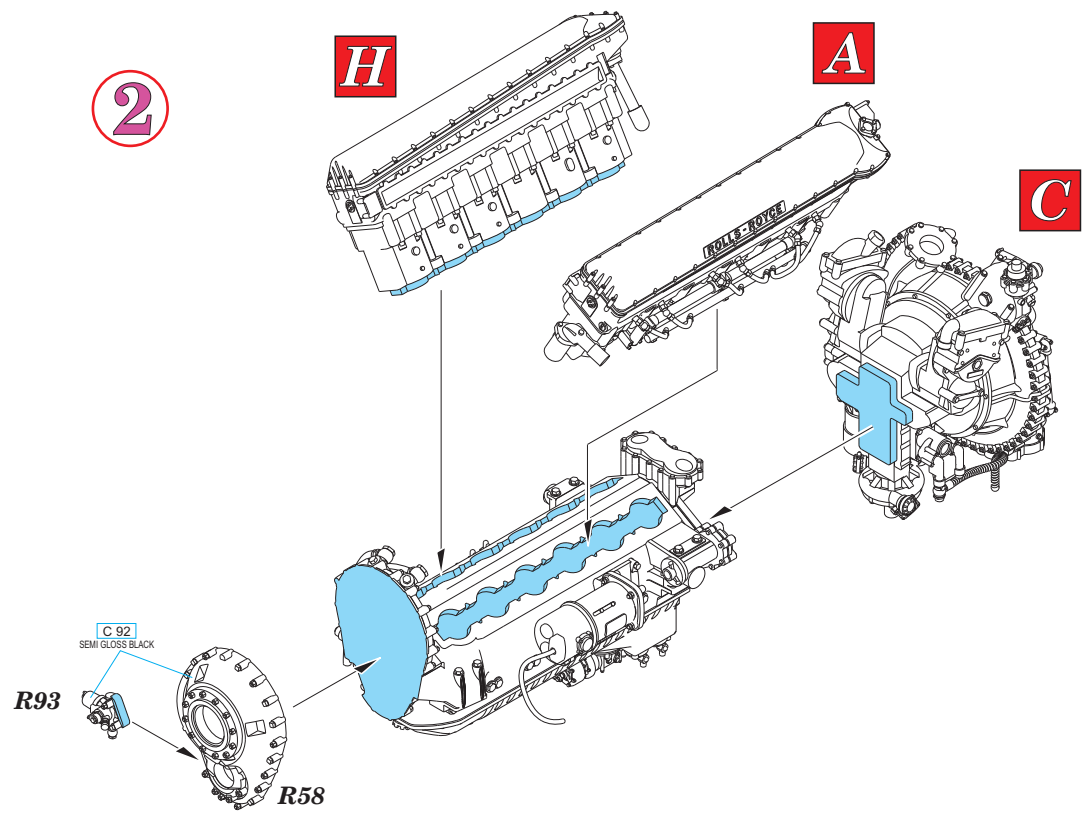


**STARBOARD ENGINE
(RIGHT SIDE)**

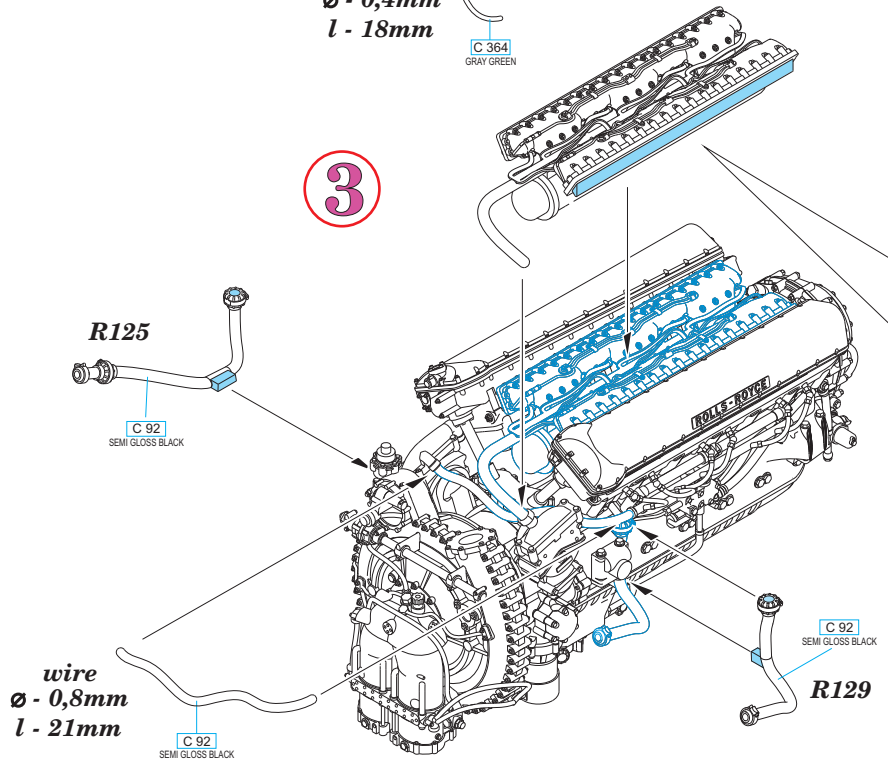
1



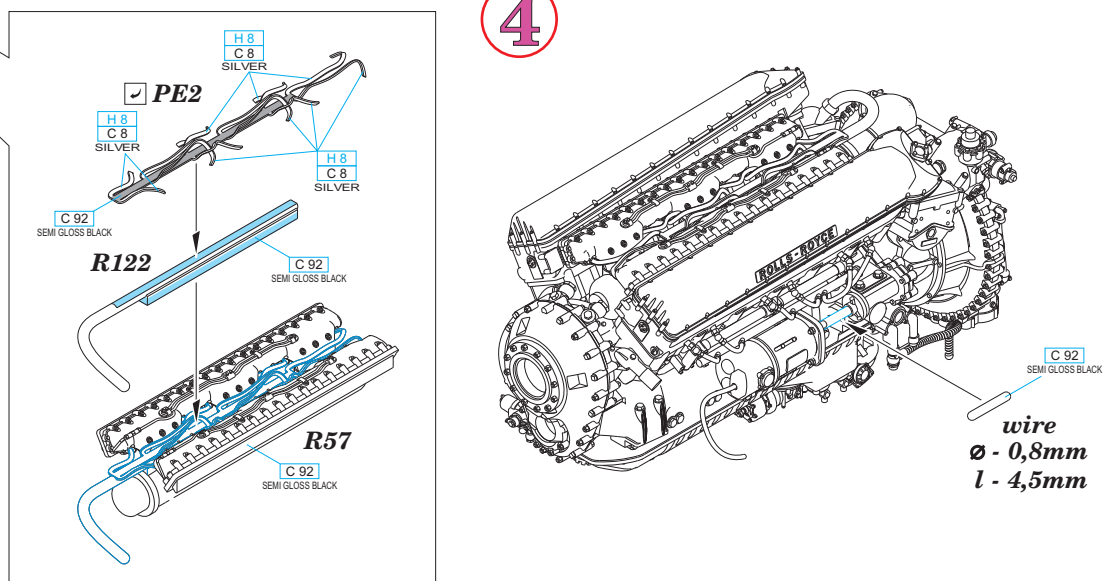
2



3

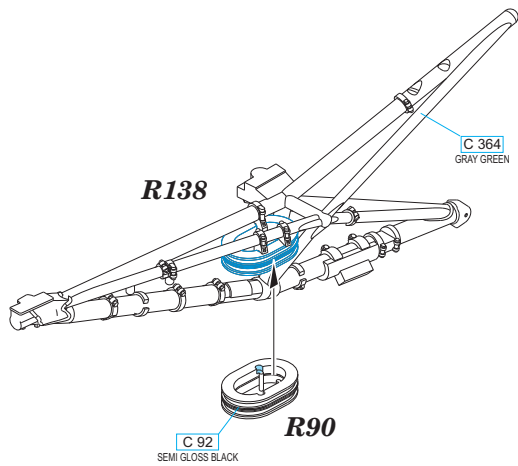


4

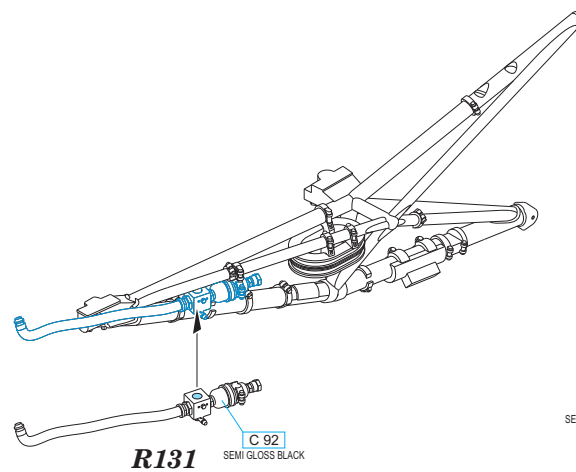


I

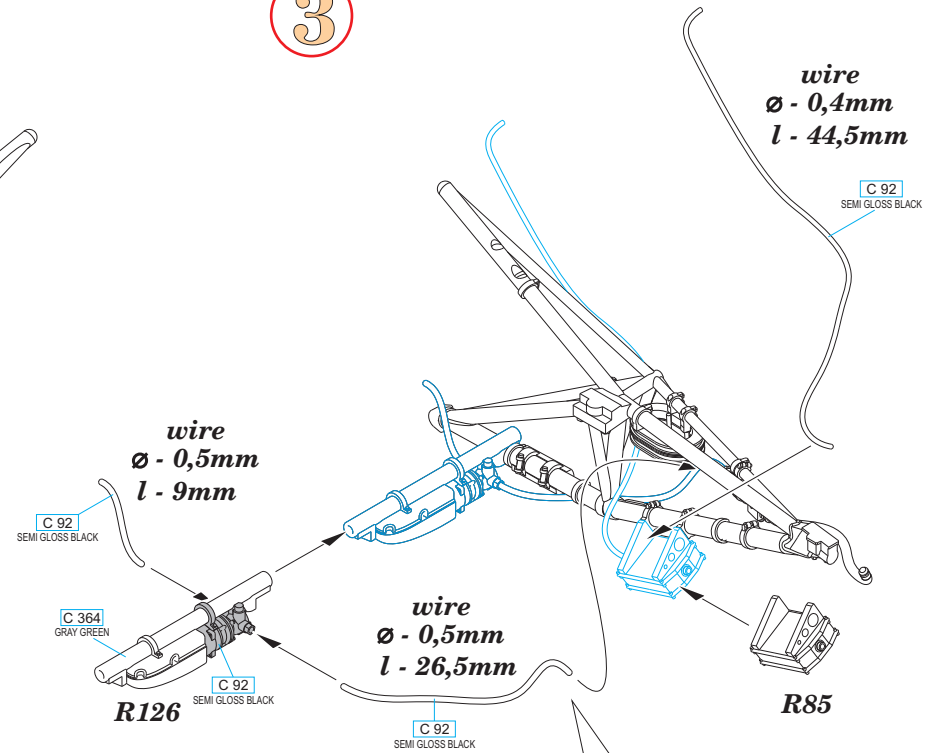
1



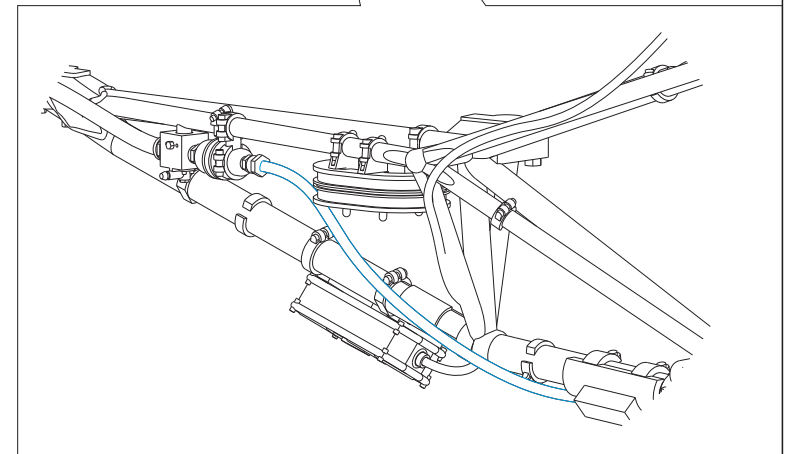
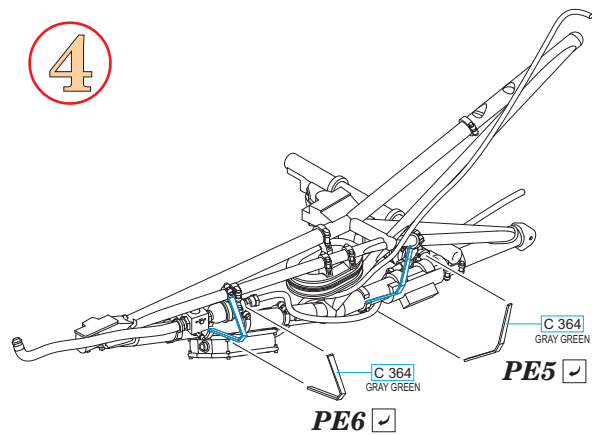
2



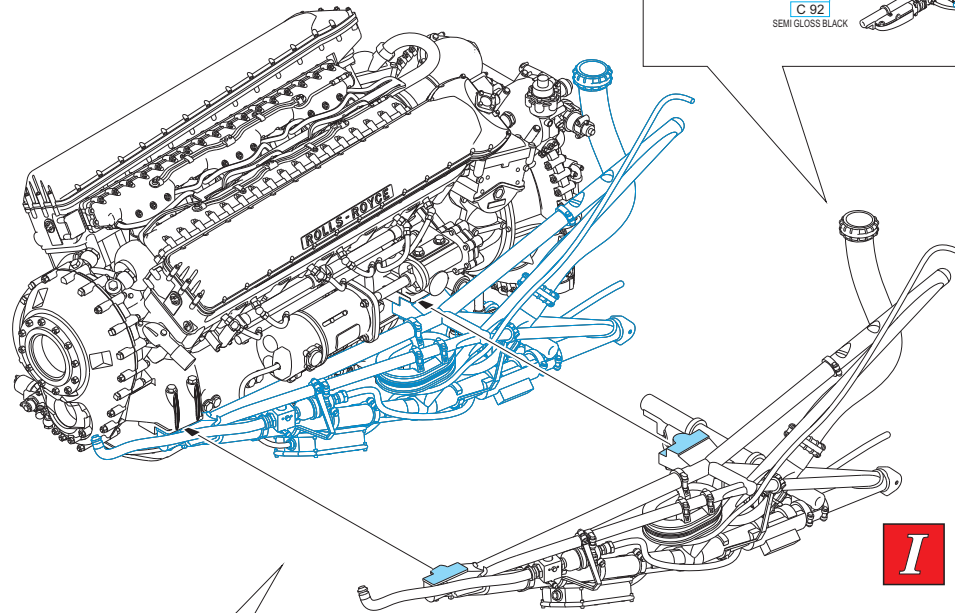
3



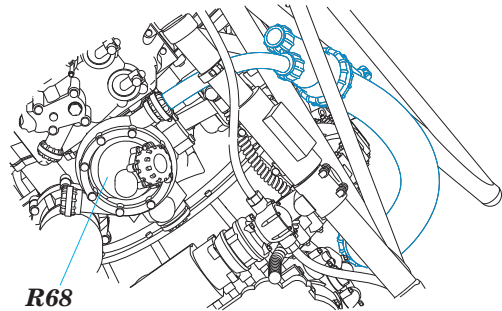
4



5



CORRECT POSITION OF R127



R68

DO NOT GLUE!

R127

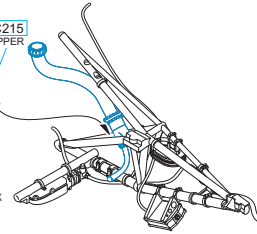
H 8
C 8
SILVER

MC215
COPPER

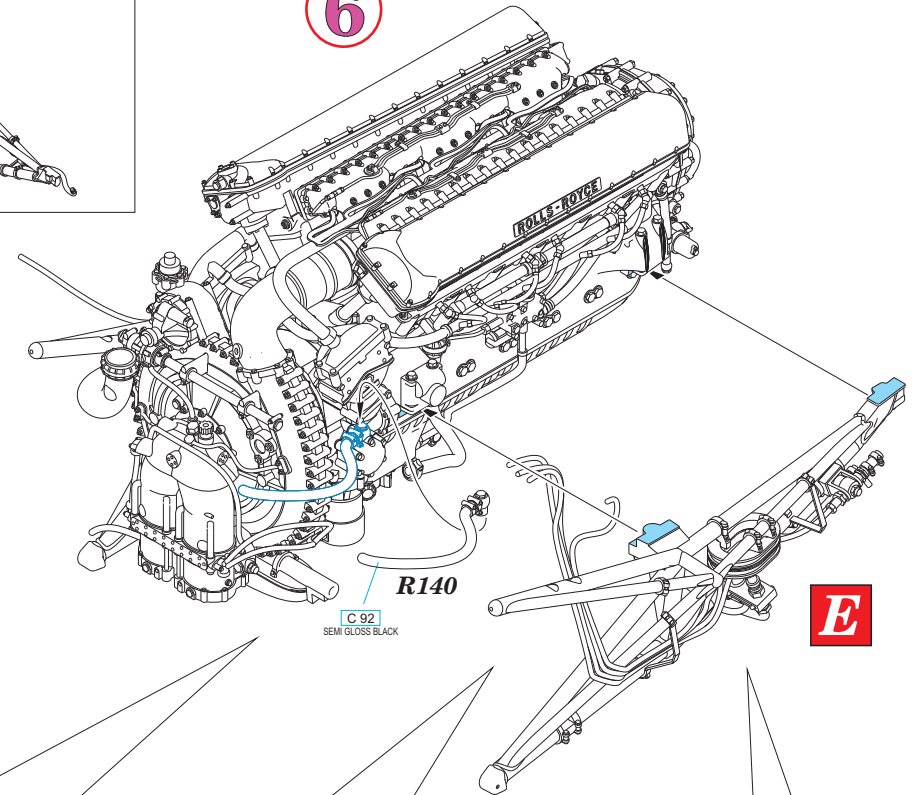
MC215
COPPER

H 8
C 8
SILVER

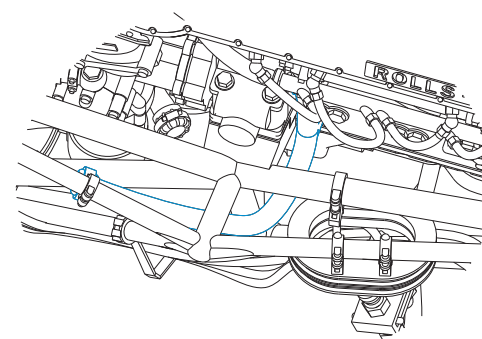
C 92
SEMI GLOSS BLACK



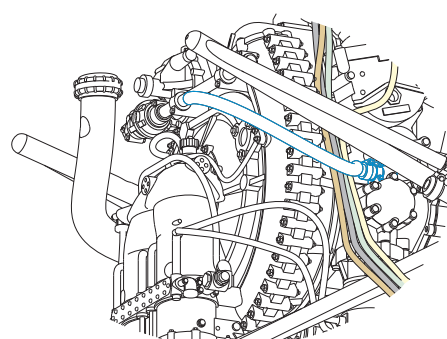
6



CORRECT POSITION OF R129



CORRECT POSITION OF WIRES



7

- R128 WILL BE GLUED TO THE PART R137
- GO TO PAGE 19

R94 R95

C 92
SEMI GLOSS BLACK

wire
Ø - 0,4mm
l - 23,5mm

C 92
SEMI GLOSS BLACK

H 8
C 8
SILVER

R128

MC215
COPPER

H 8
C 8
SILVER

Ø - 0,4mm wire
l - 13mm

C 92
SEMI GLOSS BLACK

H 8
C 8
SILVER

R124

MC215
COPPER

8

R75

C 92
SEMI GLOSS BLACK

H 2
C 2
BLACK

R69

R119

C 364
GRAY GREEN

H 8
C 8
SILVER

R70

H 8
C 8
SILVER

R71

H 8
C 8
SILVER

R89

R130

C 92
SEMI GLOSS BLACK

9

- R124 WILL BE GLUED TO THE PART R137
- GO TO PAGE 19

C 92
SEMI GLOSS BLACK

R86

H 8
C 8
SILVER

R97

C 364
GRAY GREEN

H 8
C 8
SILVER

wire
Ø - 0,3mm
l - 13,5mm

wire
Ø - 0,3mm
l - 14,5mm

C 92
SEMI GLOSS BLACK

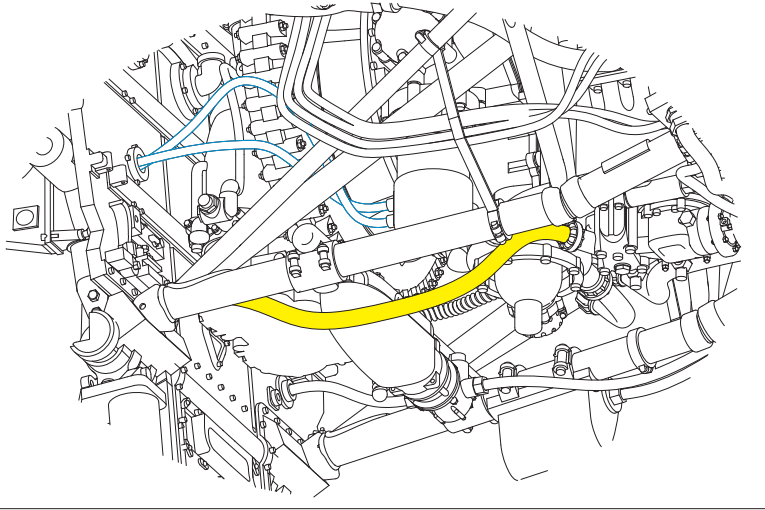
C 92
SEMI GLOSS BLACK

wire Ø - 0,5mm
l - 42mm

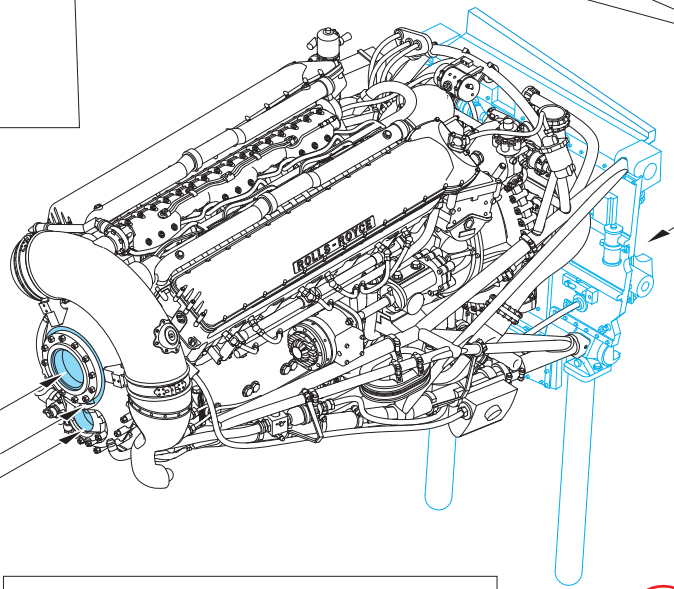
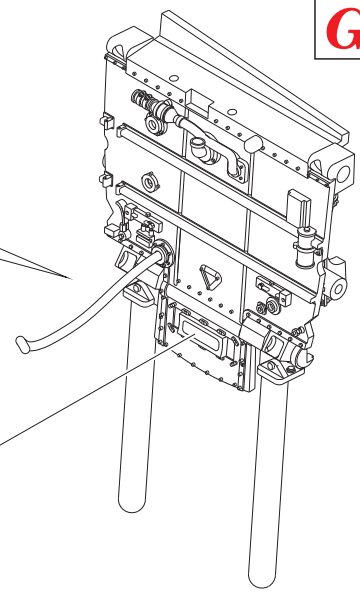
10

2

11 2



G



C 92 SEMI GLOSS BLACK PE7

PE8

MC213 STAINLESS

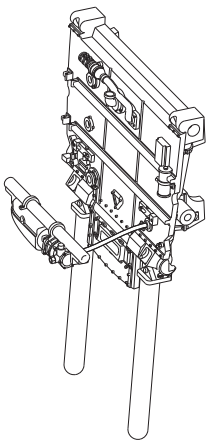
R88

R66

C 92 SEMI GLOSS BLACK

CORRECT POSITION OF WIRE

R126



12

H 8 C 8 SILVER

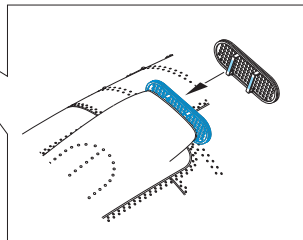
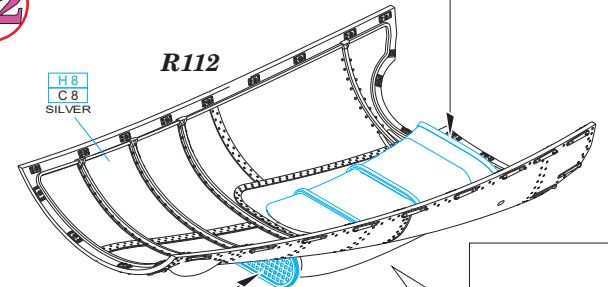
R105

R112

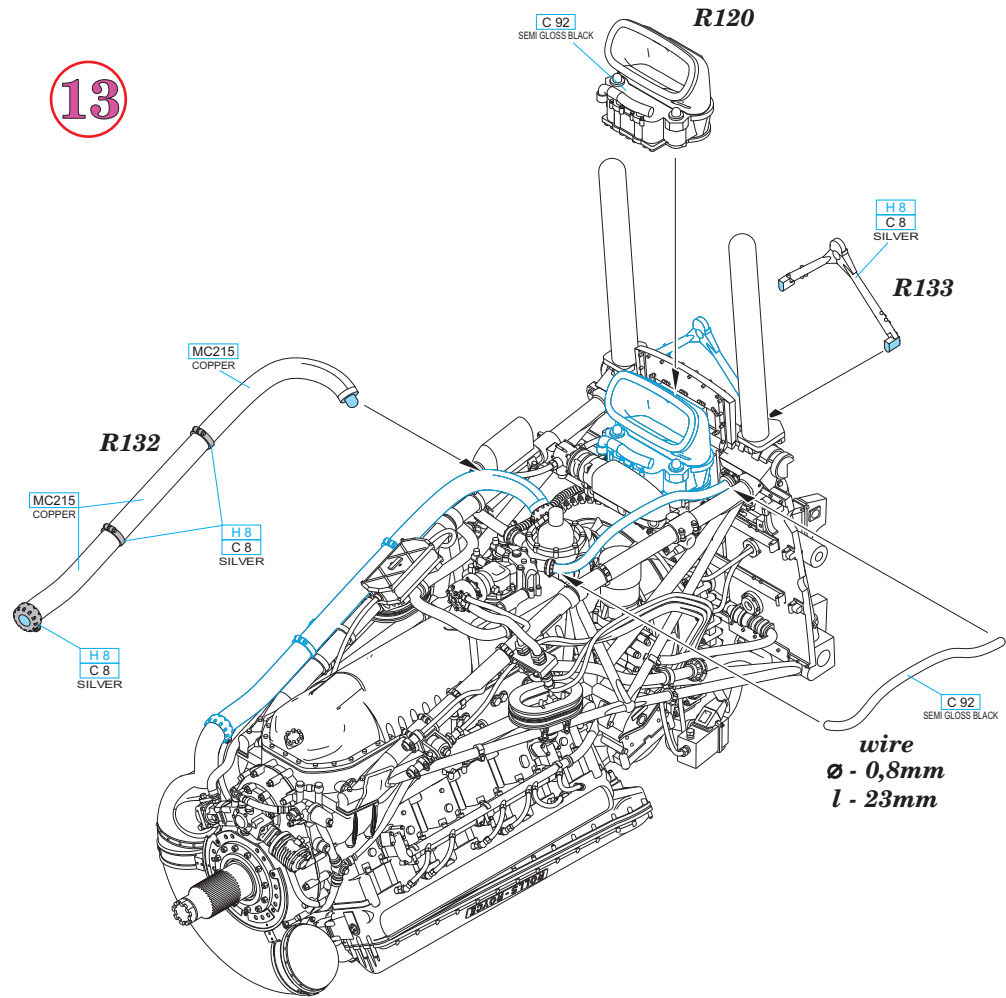
H 8 C 8 SILVER

CAMOUFLAGE COLOR

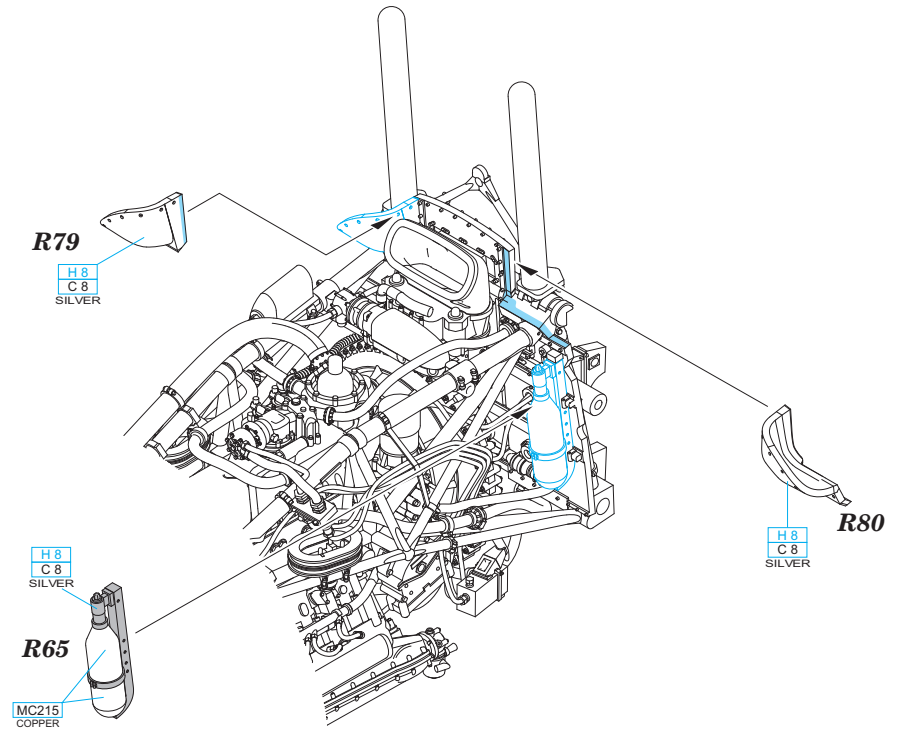
PE1

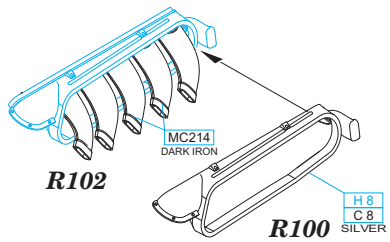


13



14

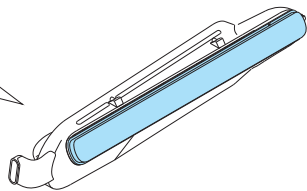




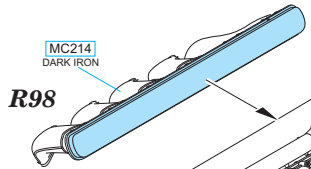
R102

R100

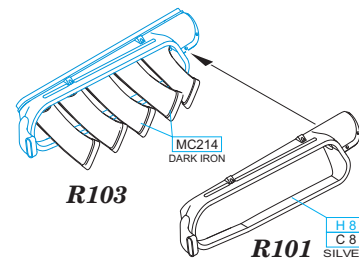
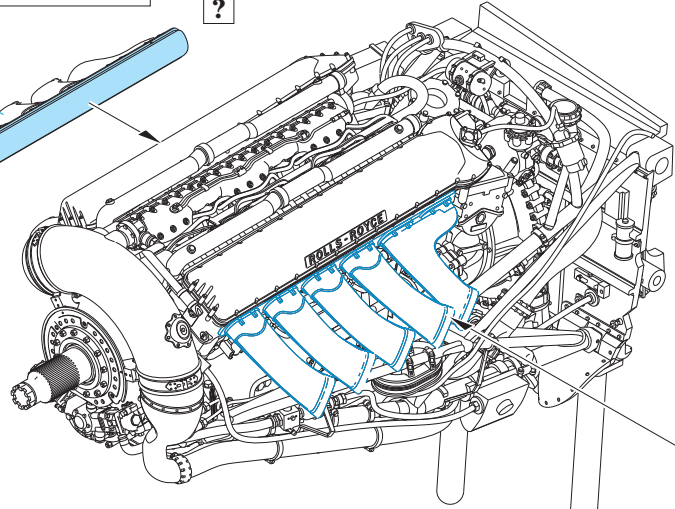
15



?

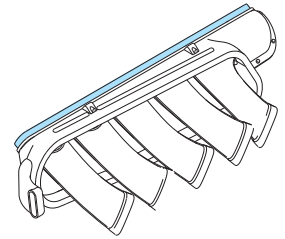


R98

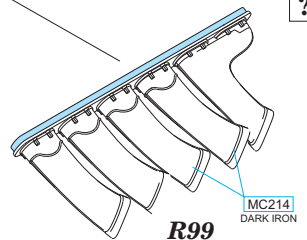


R103

R101

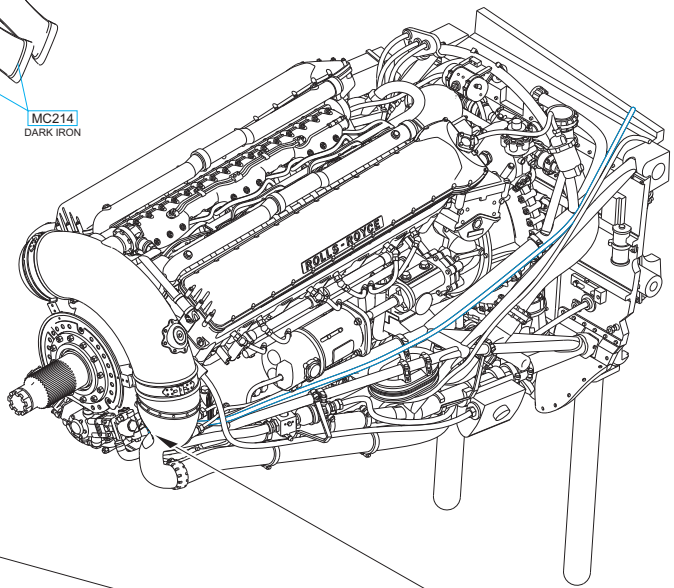


?

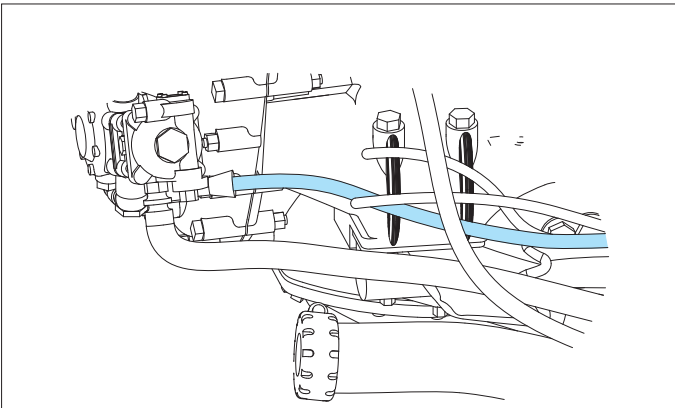


R99

16

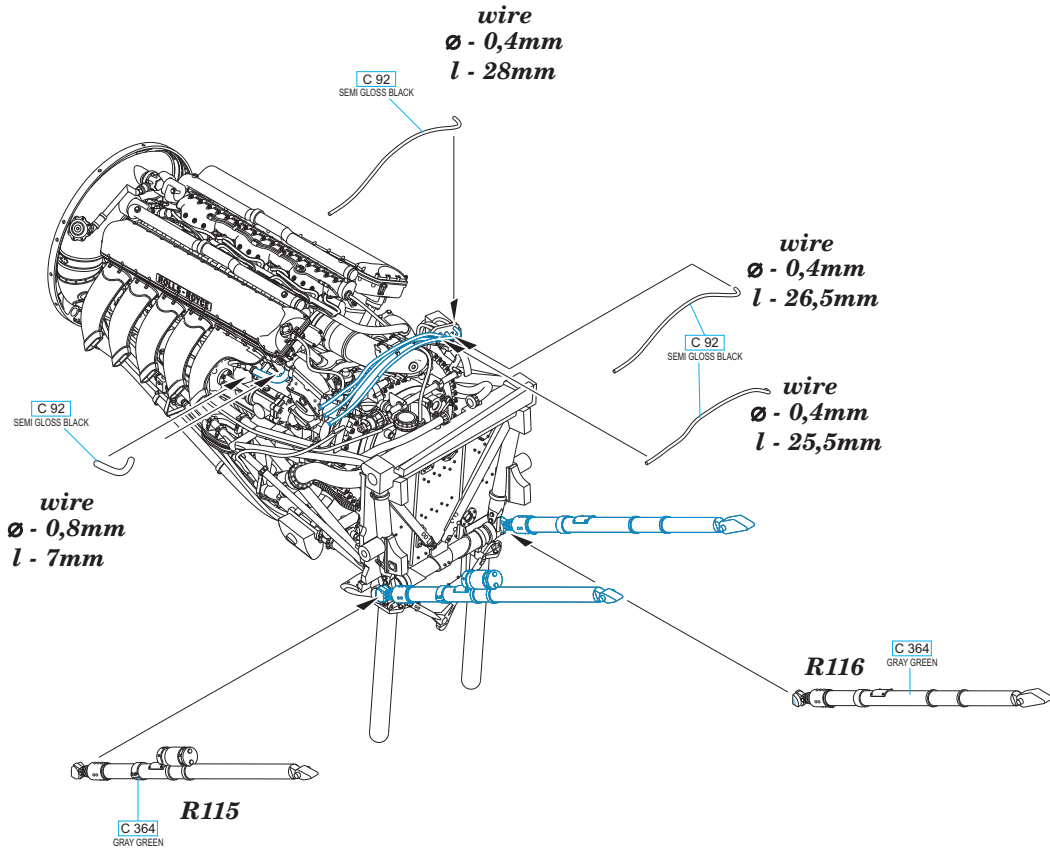


C 92 SEMI GLOSS BLACK

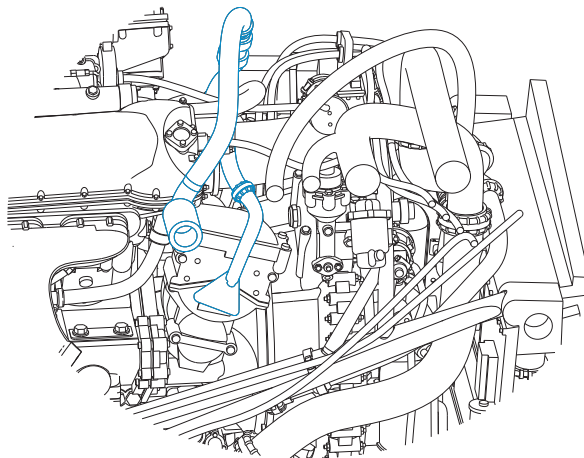


wire
 Ø - 0,4mm
 l - 60,5mm

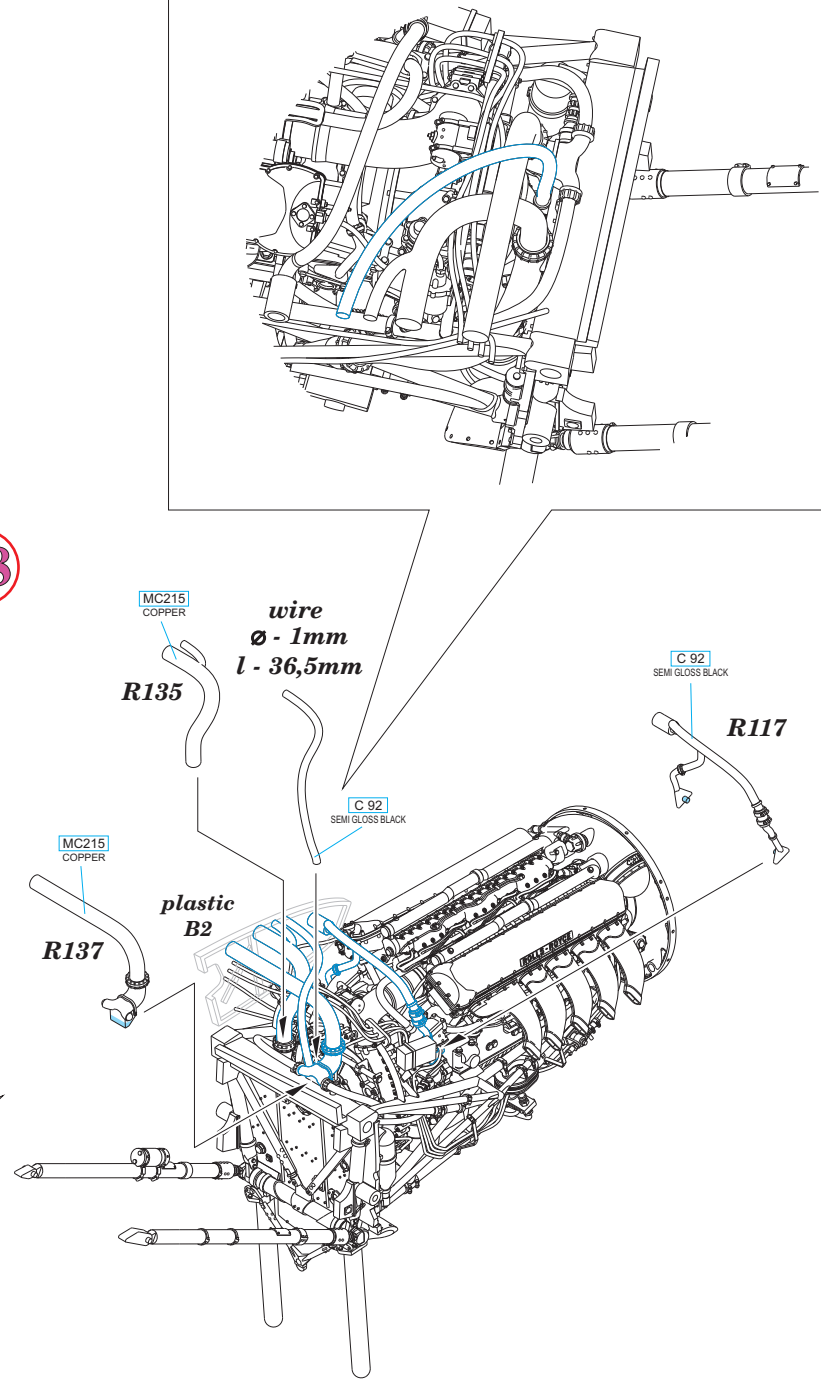
17



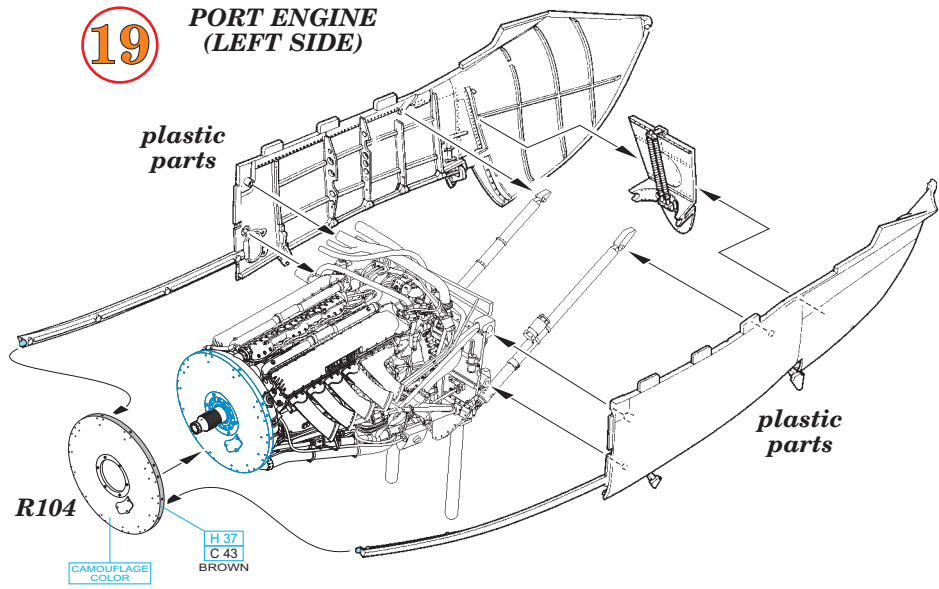
CORRECT POSITION OF R117



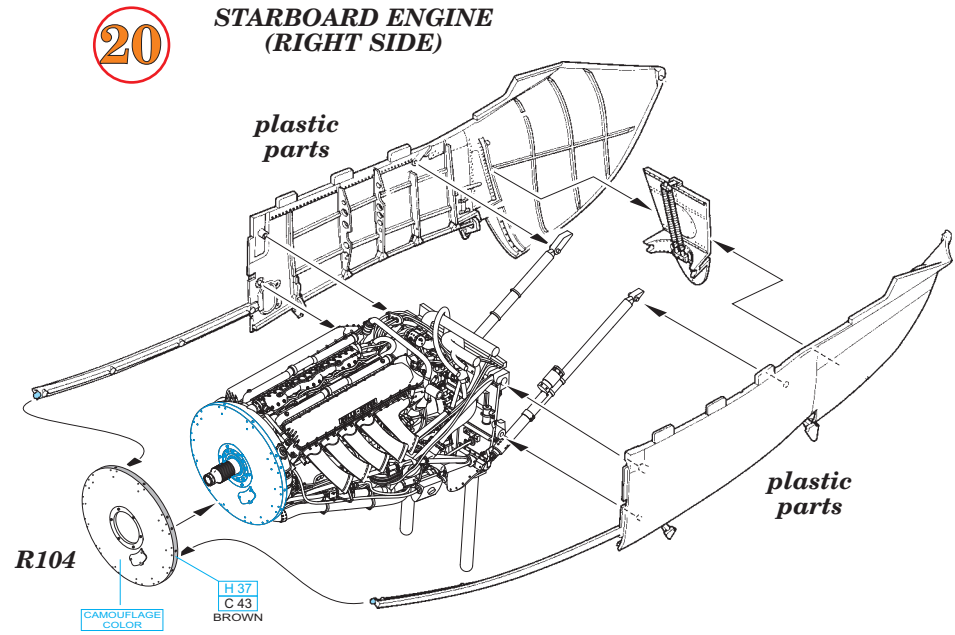
18



19 PORT ENGINE
(LEFT SIDE)



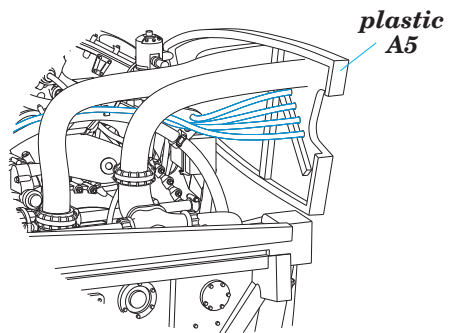
20 STARBOARD ENGINE
(RIGHT SIDE)



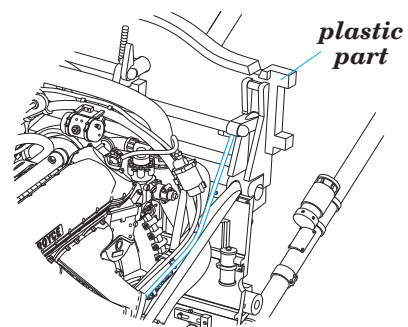
21

CORRECT POSITION OF WIRE

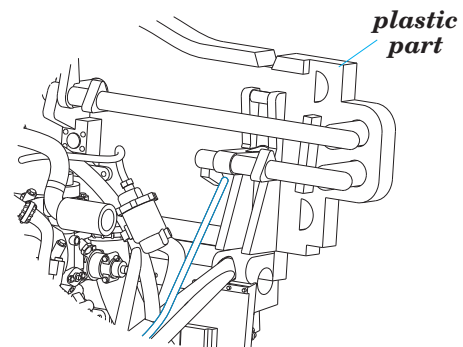
**PORT ENGINE
(LEFT SIDE)**



**PORT ENGINE
(LEFT SIDE)**



**STARBOARD ENGINE
(RIGHT SIDE)**



**STARBOARD ENGINE
(RIGHT SIDE)**

