

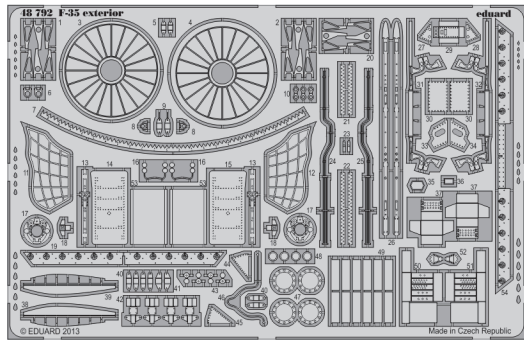


# F-35 exterior

eduard

48 792

1/48 scale detail set for Kitty Hawk kit • sada detailů pro model 1/48 Kitty Hawk



- APPLY EXPRESS MASK AND PAINT BEFORE GLUING  
POUŽIT EXPRESS MASK NABARVIT PŘED SLEPENÍM
- SYMMETRICAL ASSEMBLY  
SYMETRICKÁ MONTÁŽ
- REMOVE  
ODSTRANIT
- GRIND  
OBROUSIT
- DRILL HOLE  
VRTÁT OTVOR
- COLORED ETCHED PARTS  
LEPTANÉ BAREVNÉ DÍLY
- BEND  
OHNOUT
- OPTION  
VOLBA
- REPLACE  
NAHRADIT

ORIGINAL KIT PARTS  
PŮVODNÍ DÍLY STAVEBNICE

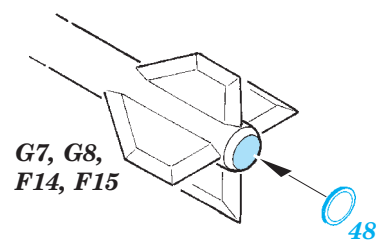
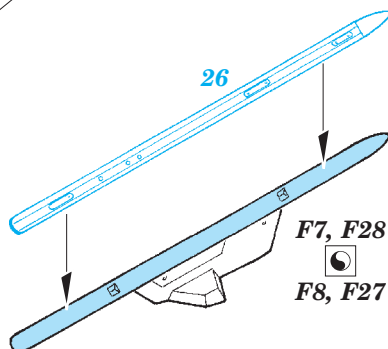
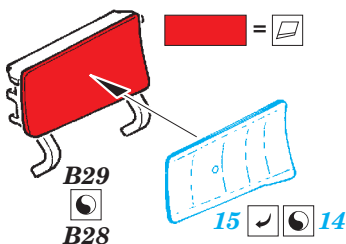
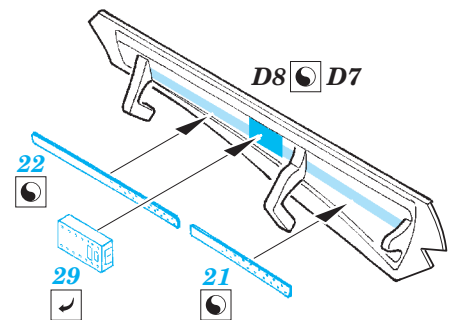
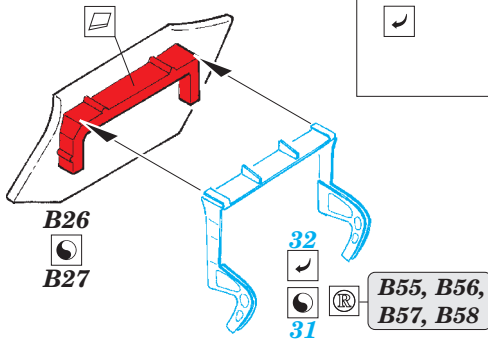
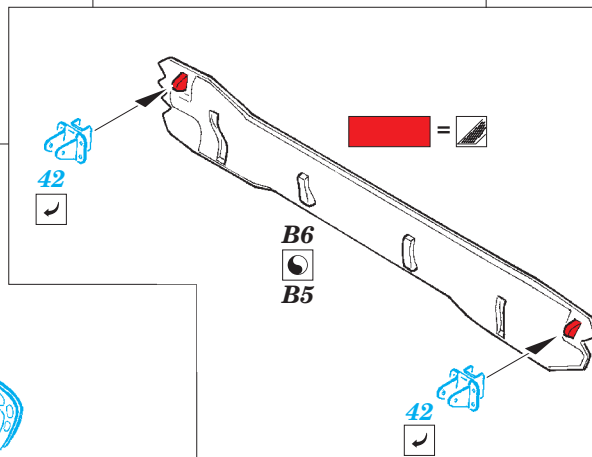
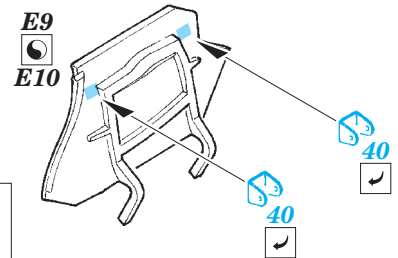
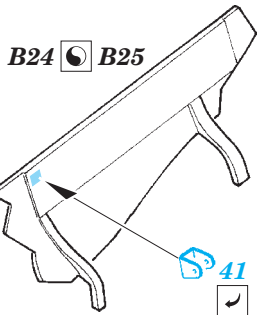
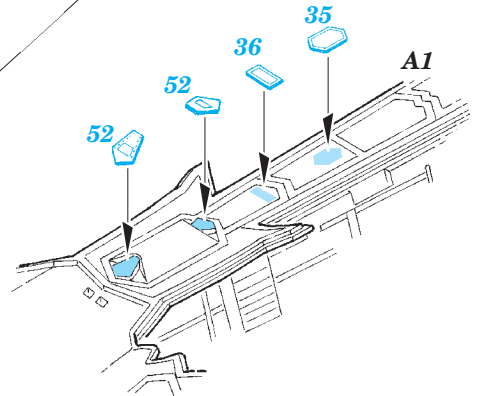
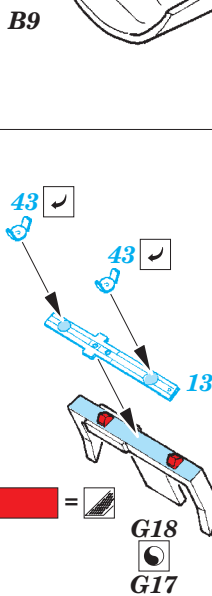
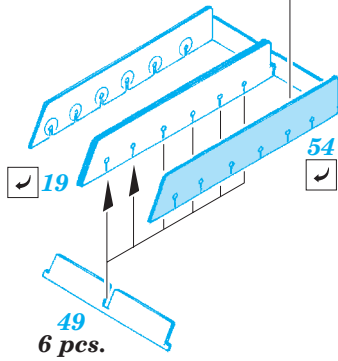
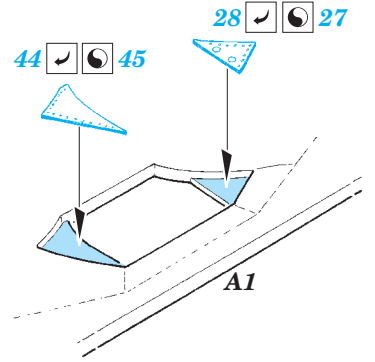
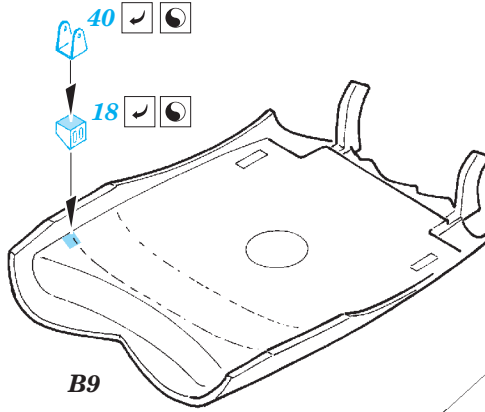
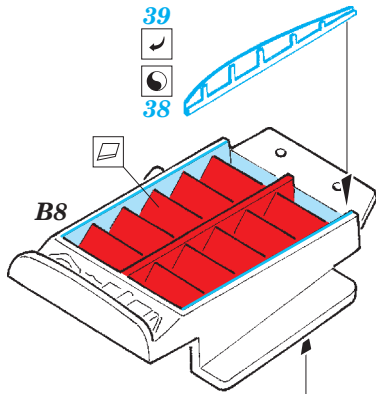
PHOTO-ETCHED PARTS  
LEPTANÉ DÍLY

PARTS TO BE REMOVED  
DÍLY K ODSTRANĚNÍ

FILL  
TMELIT

The main assembly diagrams are organized into several sections:

- Landing Gear Assembly:** Shows the installation of parts E14, E25, E24, and E26. Includes parts D22, 20, 46, 5, 23, 8, and 9. A red part is shown to be removed.
- Wheel and Tire Assembly:** Shows the installation of wheel G1 and tire C2. Includes parts 7, 9, 17, 16, D23, D24, 2, 1, 10, 25, 24, 6, 47, 53, B48, B47, 3, and 47.
- Fuselage Detail Assembly:** Shows the installation of parts B2, B1, 51, 50, B49, B50, 30, 37, B51, B52, 33, 34, A2, 12, 11, and 11. Includes a red fill area for part B10 and a blue fill area for part B11.



For further detail sets look for **eduard** 49 653 F-35 interior S.A.  
(not included in this set)